

NISSAN NV CARGO & NV200 CARGO VAN EQUIPMENT



ADRIAN STEEL®

Cargo Management Solutions for Commercial Vehicles



ADRIAN STEEL HAS ALL THE STORAGE PRODUCTS YOU WILL NEED

And the distributor network to professionally install your interior to get you serving your customers faster! Below is a guide to help you set up your work van with the equipment you need to get the job done. Build your own interior with our modular products, or start with a trade specific package and modify it to your specific needs.

ZONE 1 PARTITION

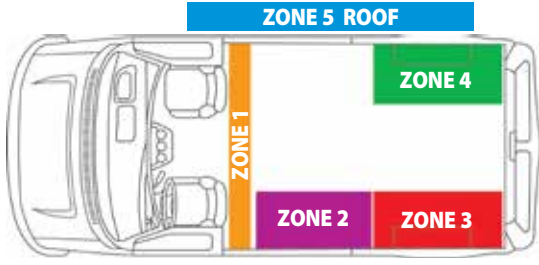
- Choose partition style and wing kit (if applicable.)
- Add accessories.
- I need:

ZONES 2, 3, 4 CURBSIDE & STREETSIDE

- Use layout diagram to determine the amount of space available.
- Choose from a variety of shelving units and modules, or a trade specific interior package.
- I need:

ADDITIONAL STORAGE

- Add accessories to shelving and partition
- Hooks, drawers, files, screens, and more.
- I need:

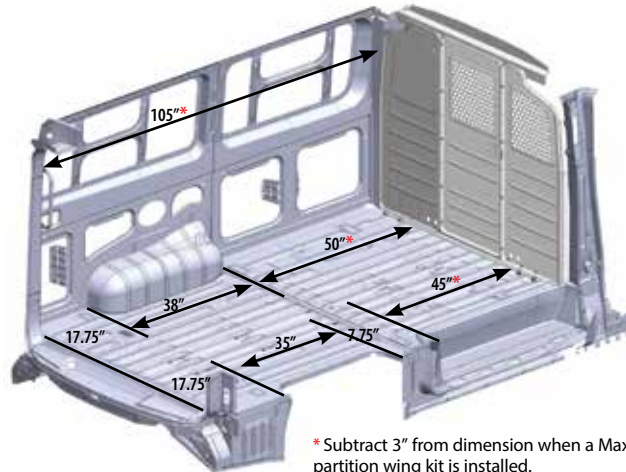


ZONE 5 ROOF

- What do you need to carry?
- Choose a ladder rack or utility rack to fit your needs.
- I need:

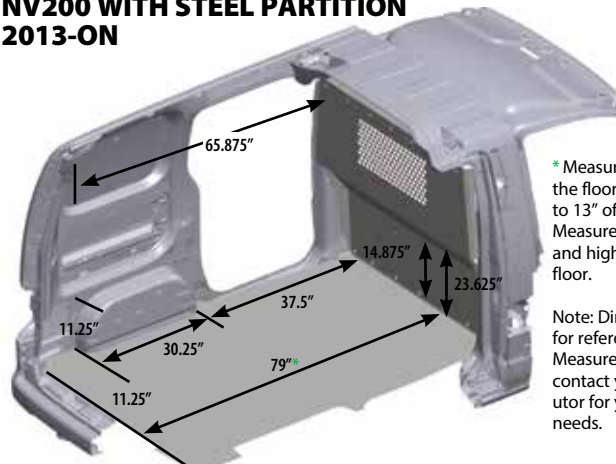
Need some help?
Contact your local distributor! They can provide a wealth of information about utilizing the cargo space in your work van. Find your local distributor online at adriansteel.com.

NV CARGO WITH STANDARD PARTITION



* Subtract 3" from dimension when a Max Comfort partition wing kit is installed.
Note: Dimensions for reference only. Measure your van or contact your distributor for your exact needs.

NV200 WITH STEEL PARTITION 2013-ON



* Measures 79" at the floor and up to 13" off the floor. Measures 72" at 23" and higher off the floor.

Note: Dimensions for reference only. Measure your van or contact your distributor for your exact needs.

INDEX

- 2 Plan Your Work Ready Van
- 3 Nissan Commercial Incentive Program
- 4-5 NV CARGO Program Complimentary Packages
- 6-8 NV CARGO Program Customer Resp. Packages
- 9 NV CARGO Incentive Program Accessories
- 10-11 NV200 Program Complimentary Packages
- 12-13 NV200 Program Customer Resp. Packages
- 14-15 NV CARGO Tall Shelf Packages
- 16-17 NV200 ADseries Trade Packages
- 18-19 NV200 HD Series Trade Packages
- 20-21 NV CARGO & NV200 Partitions
- 22-23 ADseries Shelving
- 24-25 Storage Modules
- 26 Portable Parts Cases
- 27-28 Van Accessories
- 29 NV CARGO LoadsRite Ladder Racks
- 30 NV CARGO EZ Load Ladder Rack
- 31 Interior Ladder Racks
- 32 NV CARGO Utility Racks
- 33 NV200 Grip Lock & Utility Racks
- 34-35 Index

All illustrations, photos and specifications in this publication are based on the latest product information available at the time of content approval. The right is reserved to make changes at any time, without notice, in materials, specifications and models, and also to discontinue models.

NISSAN COMMERCIAL INCENTIVE PROGRAM



NISSAN AND ADRIAN STEEL ARE COMMITTED BUSINESS PARTNERS AND THEY HAVE TEAMED UP TO OFFER YOU THE COMMERCIAL STORAGE PRODUCTS NECESSARY TO GROW YOUR BUSINESS.

The Nissan Commercial Incentive Program offers qualified commercial customers substantial benefits, including your choice of upfit packages featuring shelving or ladder storage options for both NV Cargo Standard/High roof models and NV200 Compact Cargo.

PROGRAM ELIGIBILITY:

Incentives available only to a commercial business. Subject to verification and eligibility requirements. Customers who can provide one of the following eligible business documents can take advantage of the Nissan Commercial Incentive Program. All eligible business documentation must link the owner's name to the business.

- Business License
- Copies of DBA or assumed name document
- Articles of Incorporation
- Sales Tax License
- State or Federal forms showing a Federal Identification Number
- Nissan FAN code
- Verifiable D & B listing
- Municipal Business License
- State or Federal authorized business website (must have a .gov web address)
- State Occupational License for Trade (for example Plumber, Electrician, Contractor)



The Nissan Commercial Incentive Program is available only through Nissan Business Certified Dealers in the US.

- You must purchase or lease and take delivery of an eligible NV Cargo or NV200 Compact Cargo commercial van during the program period.
- Customer Responsibility charges are to be paid directly to the Adrian Steel Distributor.
- NV Cargo Program Accessories selected on program claims will be invoiced by Nissan through their dealer.

NEED HELP?

Contact your local Nissan Commercial Vehicle Dealer for more information about the Commercial Incentive Program. Locate your dealer online at: www.nissancommercialvehicles.com/dealer-locator

Adrian Steel Product questions can be directed to your local Adrian Steel distributor. Locate your distributor online at: www.adriansteel.com/distributors

NISSAN COMMERCIAL INCENTIVE PROGRAM

NV CARGO - STANDARD ROOF INCENTIVE OFFERS

CARGO MANAGEMENT SYSTEM STANDARD ROOF (#4484)

MSRP Value \$2160

NO CHARGE!

ITEM	MODEL	DESCRIPTION	QTY
1	S1M2C2FSV	Partition	1
2	AD44LCV	ADseries shelving Unit	3
3	TA1WAD	Four Hook Bar	1
4	WKC1LCVS	Partition wing kit - std roof	1
5	RKLCV	Rail Kit	1

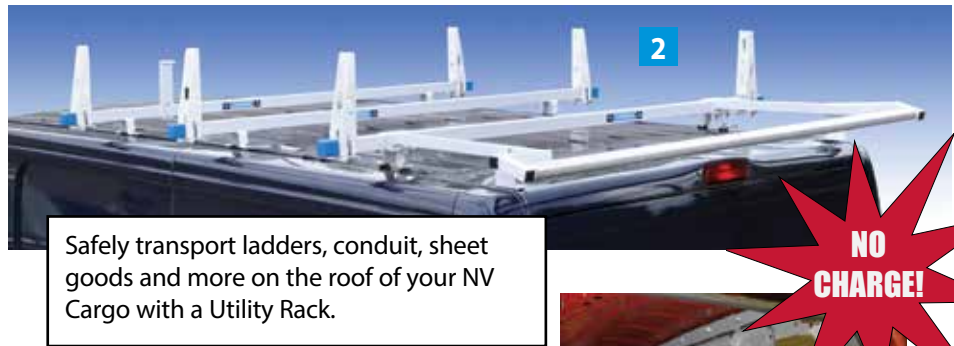


UTILITY PACKAGE STANDARD ROOF (#4976)

MSRP Value \$1850

NO CHARGE!

ITEM	MODEL	DESCRIPTION	QTY
1	S1M2C2FSV	Partition	1
2	3BARRNV-W	3 Bar Utility Rack	1
3	WKC1LCVS	Partition wing kit - std roof	1

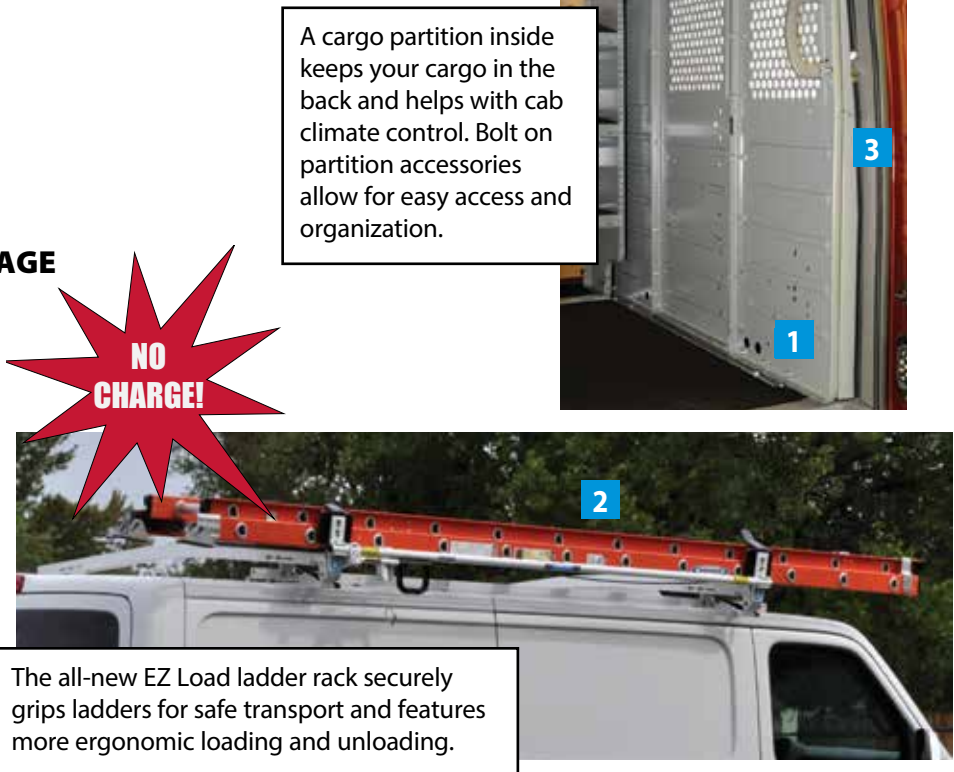


EZ LOAD LADDER RACK PACKAGE STANDARD ROOF (#4957)

MSRP Value \$1950

NO CHARGE!

ITEM	MODEL	DESCRIPTION	QTY
1	S1M2C2FSV	Partition	1
2	61-EZLCVC	EZ LOAD Ladder Rack	1
3	WKC1LCVS	Partition wing kit - std roof	1



NV CARGO

* Nissan Commercial Incentive Program provided by Nissan North America, Inc. for eligible NV Cargo vans.
* Program available only through Nissan Business Certified Dealers in the United States.

NISSAN COMMERCIAL INCENTIVE PROGRAM

NV CARGO - HIGH ROOF INCENTIVE OFFERS

CARGO MANAGEMENT SYSTEM HIGH ROOF (#4519)

MSRP Value \$2270

NO CHARGE!

ITEM	MODEL	DESCRIPTION	QTY
1	S1M2C2FSV	Partition	1
2	AD44LCV	ADseries shelving Unit	3
3	TA1WAD	Four Hook Bar	1
4	WKC1LCVH	Partition wing kit - high roof	1
5	RKLCV	Rail Kit	1



UTILITY PACKAGE HIGH ROOF (#4520)

MSRP Value \$1860

NO CHARGE!

ITEM	MODEL	DESCRIPTION	QTY
1	S1M2C2FSV	Partition	1
2	LKLCV	Ladder Keeper	1
3	WKC1LCVH	Partition wing kit - high roof	1



Keep ladders out of the elements and out of the way with an interior ladder rack. Store up to a 6 ft. step ladder inside your high roof NV Cargo. A full height cargo partition keeps your cargo in the back and helps with cab climate control. Bolt on partition accessories allow for easy access and organization.



NV CARGO

For the latest information on the Nissan Commercial Incentive Program, please contact your Nissan Commercial Vehicle Dealer.

NISSAN COMMERCIAL INCENTIVE PROGRAM

NV CARGO - UPGRADE PACKAGES

GENERAL SERVICE PACKAGE STANDARD ROOF (#4686NS)

MSRP Value \$3075

Less Nissan Contribution

CUSTOMER RESPONSIBILITY: \$625

GENERAL SERVICE PACKAGE HIGH ROOF (#4686NH)

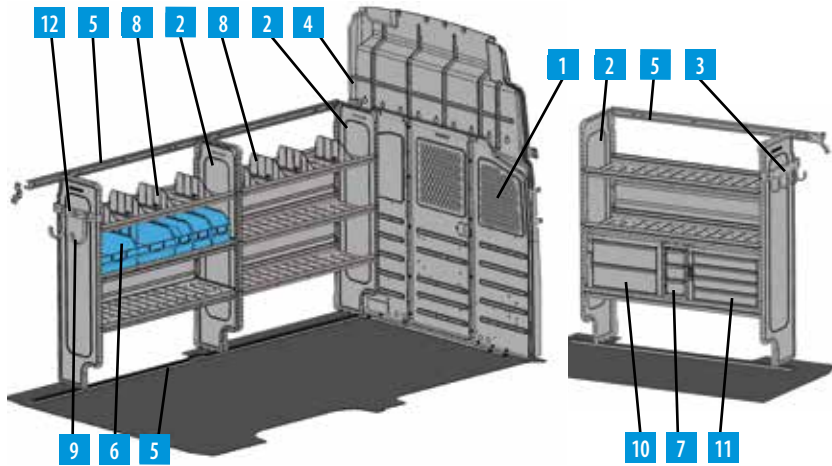
MSRP Value \$3165

Less Nissan Contribution

CUSTOMER RESPONSIBILITY: \$625



ITEM	MODEL	DESCRIPTION	QTY
1	S1M2C2FSV	Partition	1
2	AD44LCV	ADseries Shelving Unit	3
3	TA1WAD	Four Hook Bar	1
4	WKC1LCVH or WKC1LCVS	Partition wing kit - high roof Partition wing kit - std roof	1
5	RKLCV	Rail Kit	1
6	BR36212	Parts Bin System (3-6", 2-12")	1
7	DC6	Drawer Component 6"	1
8	DV14C1	Divider	8
9	UH50	5" Hook	2
10	19	Two Drawer Medium	1
11	9	Four Drawer Shallow	1
12	BRK14EPS	End Panel Bracket	1



ELECTRICAL CONTRACTOR PACKAGE STANDARD ROOF (#4687NS)

MSRP Value \$3800

Less Nissan Contribution

CUSTOMER RESPONSIBILITY: \$1121

ELECTRICAL CONTRACTOR PACKAGE HIGH ROOF (#4687NH)

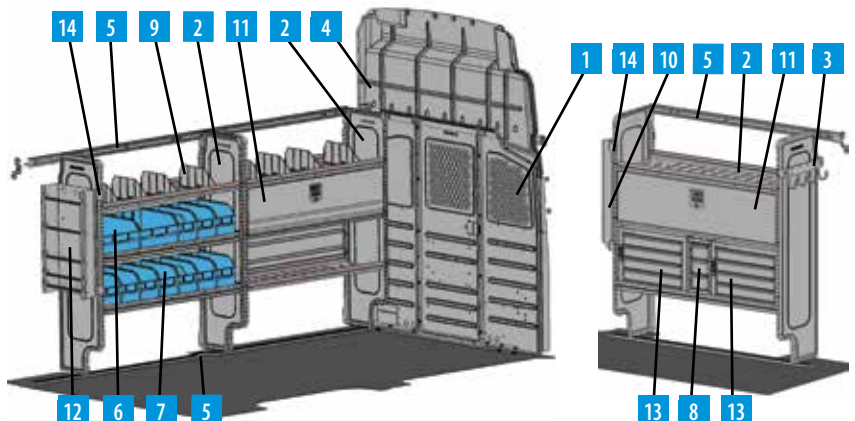
MSRP Value \$3890

Less Nissan Contribution

CUSTOMER RESPONSIBILITY: \$1121



ITEM	MODEL	DESCRIPTION	QTY
1	S1M2C2FSV	Partition	1
2	AD44LCV	ADseries Shelving Unit	3
3	TA1WAD	Four Hook Bar	1
4	WKC1LCVH or WKC1LCVS	Partition wing kit - high roof Partition wing kit - std roof	1
5	RKLCV	Rail Kit	1
6	BR36212	Parts Bin System (3-6", 2-12")	1
7	BR76012	Parts Bin System (7-6")	1
8	DC6	Drawer Component 6"	1
9	DV14C1	Divider	8
10	CB5	Five Slot Literature Rack	1
11	DK4210	Door Kit	2
12	WRH5	Wire Reel Holder	1
13	9	Four Drawer Shallow	2
14	BRK14EPS	End Panel Bracket	4



NV CARGO

NISSAN COMMERCIAL INCENTIVE PROGRAM

NV CARGO - UPGRADE PACKAGES

SECURITY PACKAGE - STANDARD ROOF (#4688NS)

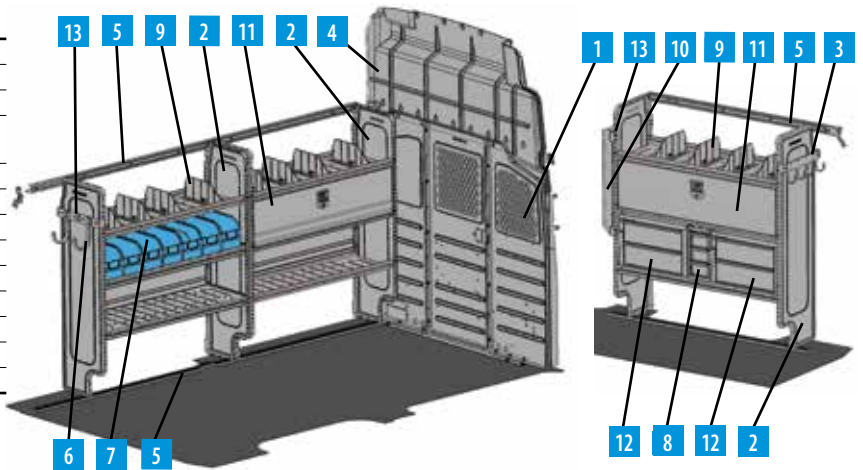
MSRP Value \$3465
 Less Nissan Contribution
CUSTOMER RESPONSIBILITY: \$882

SECURITY PACKAGE - HIGH ROOF (#4688NH)

MSRP Value \$3555
 Less Nissan Contribution
CUSTOMER RESPONSIBILITY: \$882



ITEM	MODEL	DESCRIPTION	QTY
1	S1M2C2FSV	Partition	1
2	AD44LCV	ADseries Shelving Unit	3
3	TA1WAD	Four Hook Bar	1
4	WKC1LCVH or WKC1LCVS	Partition wing kit - high roof or Partition wing kit - std roof	1
5	RKLCV	Rail Kit	1
6	UH50	5" Hook	2
7	BR76012	Parts Bin System (7-6")	1
8	DC6	Drawer Component 6"	1
9	DV14C1	Divider	12
10	CB5	Five Slot Literature Rack	1
11	DK4210	Door Kit	2
12	19	Two Drawer Medium	2
13	BRK14EPS	End Panel Bracket	3



CABLE PACKAGE - STANDARD ROOF (#4689NS)

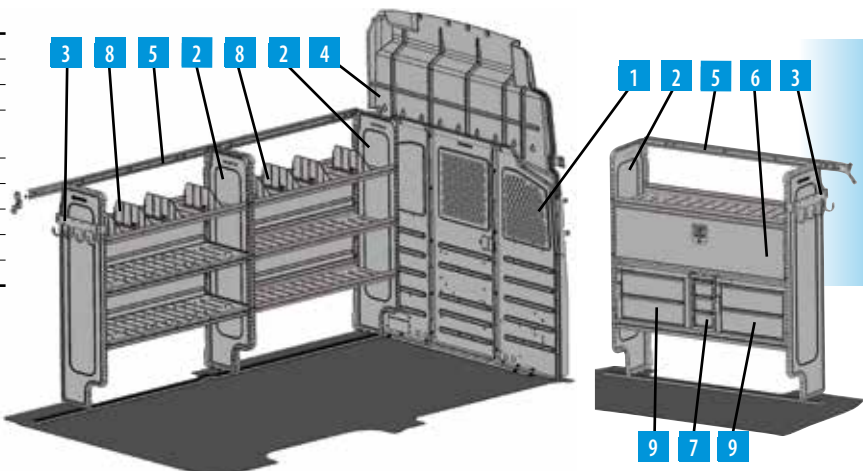
MSRP Value \$2970
 Less Nissan Contribution
CUSTOMER RESPONSIBILITY: \$549

CABLE PACKAGE - HIGH ROOF (#4689NH)

MSRP Value \$3060
 Less Nissan Contribution
CUSTOMER RESPONSIBILITY: \$549



ITEM	MODEL	DESCRIPTION	QTY
1	S1M2C2FSV	Partition	1
2	AD44LCV	ADseries Shelving Unit	3
3	TA1WAD	Four Hook Bar	2
4	WKC1LCVH or WKC1LCVS	Partition wing kit - high roof or Partition wing kit - std roof	1
5	RKLCV	Rail Kit	1
6	DK4210	Door Kit	1
7	DC6	Drawer Component 6"	1
8	DV14C1	Divider	8
9	19	Two Drawer Medium	2



* Nissan Commercial Incentive Program provided by Nissan North America, Inc. for eligible NV Cargo vans.
 * Program available only through Nissan Business Certified Dealers in the United States.

NISSAN COMMERCIAL INCENTIVE PROGRAM

NV CARGO - UPGRADE PACKAGES

HVAC PACKAGE - STANDARD ROOF (#4690NS)

MSRP Value \$3625

Less Nissan Contribution

CUSTOMER RESPONSIBILITY: \$992

HVAC PACKAGE - HIGH ROOF (#4690NH)

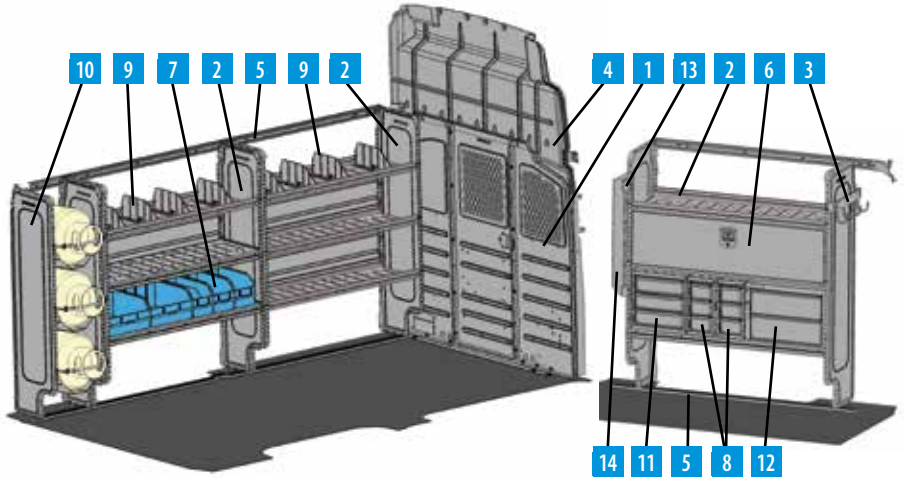
MSRP Value \$3715

Less Nissan Contribution

CUSTOMER RESPONSIBILITY: \$992



ITEM	MODEL	DESCRIPTION	QTY
1	S1M2C2FSV	Partition	1
2	AD44LCV	ADseries Shelving Unit	3
3	TA1WAD	Four Hook Bar	1
4	WKC1LCVH or WKC1LCVS	Partition wing kit - high roof Partition wing kit - std roof	1
5	RKLCV	Rail Kit	1
6	DK4210	Door Kit	1
7	BR36212	Parts Bin System (3-6", 2-12")	1
8	DC6	Drawer Component 6"	2
9	DV14C1	Divider	8
10	TH51FP	3 Tank Rack	1
11	DC12	Drawer Component 12"	1
12	19	Two Drawer Medium	1
13	BRK14EPS	End Panel Bracket	2
14	CB5	Five Slot Literature Rack	1



LOCKSMITH PACKAGE STANDARD ROOF (#2255NS)

MSRP Value \$4925

Less Nissan Contribution

CUSTOMER RESPONSIBILITY: \$1900

ITEM	MODEL	DESCRIPTION	QTY
1	S1M2HC2FSV	Partition with Door	1
2	WKC1LCVS	Partition wing kit - std roof	1
3	RKLCV	Rail Kit	1
4	RKALCV	Rail Kit Adapter	1
5	MD506	Drawer & Cabinet Module	1
6	MD608	Workbench Module (18"x26"x84")	1
7	17A	Six Shelf Literature File	1
8	TA1	Four Hook Bar (not shown)	1



NV CARGO

LOCKSMITH PACKAGE HIGH ROOF (#2255NH)

MSRP Value \$5495

Less Nissan Contribution

CUSTOMER RESPONSIBILITY: \$2400

ITEM	MODEL	DESCRIPTION	QTY
1	S1M2HC2FSV	Partition with Door	1
2	WKC1LCVH	Partition wing kit - high roof	1
3	RKLCV	Rail Kit	1
4	RKALCV	Rail Kit Adapter	1
5	MD506	Drawer & Cabinet Module	1
6	MD608NH	Workbench Module	1
7	17A	Six Shelf Literature File	1
8	TA1	Four Hook Bar (not shown)	1

* Nissan Commercial Incentive Program provided by Nissan North America, Inc. for eligible NV Cargo vans.
* Program available only through Nissan Business Certified Dealers in the United States.

NISSAN COMMERCIAL INCENTIVE PROGRAM

NV CARGO - PROGRAM ACCESSORIES



PARTITION DOOR KIT (PDK1)

MSRP Value \$74

The PDK1 Partition Door Kit converts an M-Series fixed center panel into a hinged door with a keyed slam latch. Includes two 6" hinges, a bulb seal and a slam latch. These features reduce vibration noise.



MAX COMFORT WING KITS (WKC1LCVS3) - std roof (WKC1LCVH3) - high roof

MSRP Value \$80

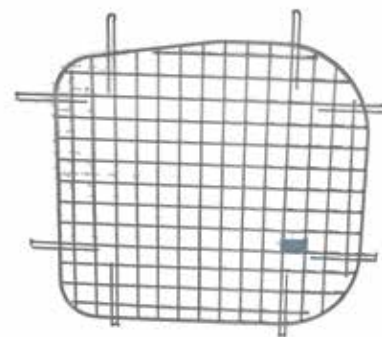
Upgrade to the Max Comfort Wing Kit and extend the amount of cab space you have by an additional 3 inches. (Reduces cargo area by 3")



8" LOCKING DOOR KIT (DK4208)

MSRP Value \$85

Simply bolts on to an AD44LCV ADseries shelf unit to transform an open shelf into a locking cabinet. Creates an 8" high cabinet that keeps expensive cargo out of sight. Features a recessed, key-locking T-handle.



REAR DOORS WINDOW SCREEN KIT (60-NRD)

MSRP Value \$125

Adds security to cargo area windows



10'6" ALUMINUM CONDUIT CARRIER (80-1)

MSRP Value \$470

Transport conduit safely on the top of your standard roof NV Cargo. The Aluminum Conduit Carrier's two piece design features a lift-up door with a spring assist for easy access and lockable swivel closure for security. Constructed with .063" diamond tread aluminum with a bolt-on plate at the front to allow access to the front end of the carrier.

NISSAN COMMERCIAL INCENTIVE PROGRAM

NV200 COMPACT CARGO - INCENTIVE OFFERS

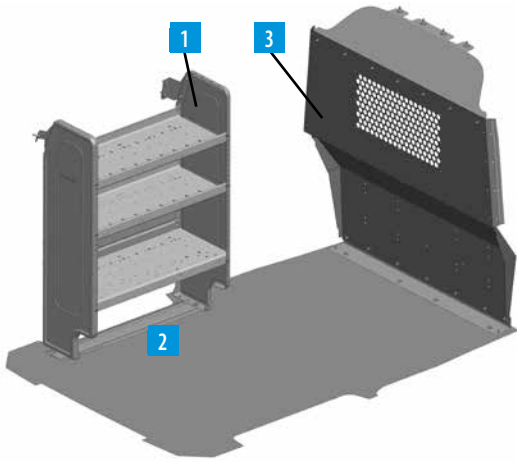
COMPLIMENTARY CARGO MANAGEMENT PACKAGE #1

One ADseries Shelf and Steel Partition
(#4959)

MSRP Value \$900

NO CHARGE!

ITEM	MODEL	DESCRIPTION	QTY
1	AD32FP	ADseries Shelf 32"	1
2	RKNV2-SS	Rail Kit-NV200 streetside	1
3	P2NV2S	Steel Partition, NV200	1



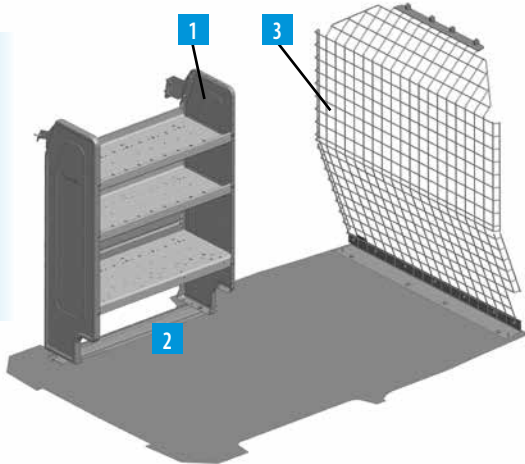
COMPLIMENTARY CARGO MANAGEMENT PACKAGE #2

One ADseries Shelf and Wire Partition
(#4960)

MSRP Value \$710

NO CHARGE!

ITEM	MODEL	DESCRIPTION	QTY
1	AD32FP	ADseries Shelf 32"	1
2	RKNV2-SS	Rail Kit-NV200 streetside	1
3	P2NV2FW	Wire Partition, NV200	1



For the latest information on the Nissan Commercial Incentive Program, please contact your Nissan Commercial Vehicle Dealer.

NV200

NISSAN COMMERCIAL INCENTIVE PROGRAM

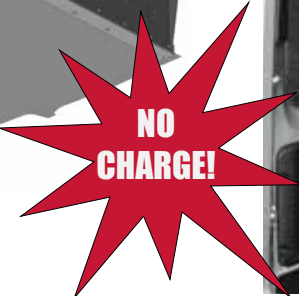
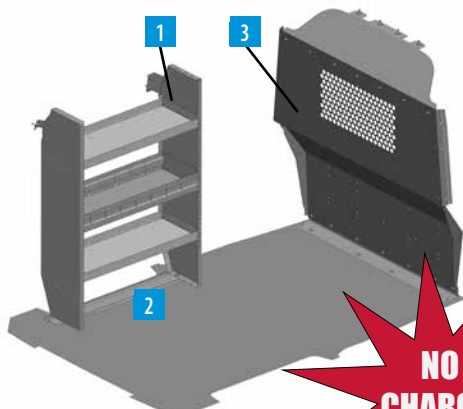
NV200 COMPACT CARGO - INCENTIVE OFFERS

COMPLIMENTARY CARGO MANAGEMENT PACKAGE #3

One HD Series Shelf and Steel Partition
(#4961)

MSRP Value \$950

NO CHARGE!



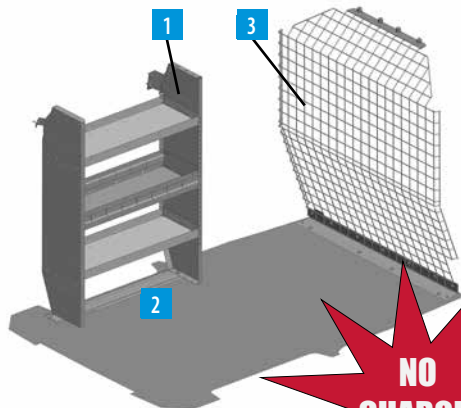
ITEM	MODEL	DESCRIPTION	QTY
1	HD-32NV2	HD Shelf 12"x32"	1
2	RKNV2-SS	Rail Kit-NV200 streetside	1
3	P2NV2S	Steel Partition, NV200	1

COMPLIMENTARY CARGO MANAGEMENT PACKAGE #4

One HD Series Shelf and Wire Partition
(#4962)

MSRP Value \$760

NO CHARGE!



ITEM	MODEL	DESCRIPTION	QTY
1	HD-32NV2	HD Shelf 12"x32"	1
2	RKNV2-SS	Rail Kit-NV200 streetside	1
3	P2NV2FW	Wire Partition, NV200	1

COMPLIMENTARY UTILITY RACK PACKAGE **(#4963)**

MSRP Value \$810

NO CHARGE!



ITEM	MODEL	DESCRIPTION	QTY
1	2BNV2	Utility Rack, NV200	1
2	P2NV2FW	Wire Partition, NV200	1

NV200

* Nissan Commercial Incentive Program provided by Nissan North America, Inc. for eligible NV200 Compact Cargo vans.
 * Program available only through Nissan Business Certified Dealers in the United States.

NISSAN COMMERCIAL INCENTIVE PROGRAM

NV200 COMPACT CARGO - UPGRADE PACKAGES

CARGO MANAGEMENT PACKAGE #1

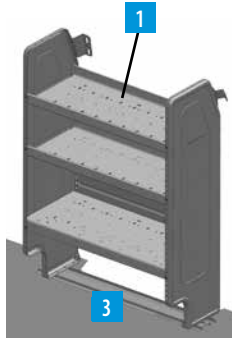
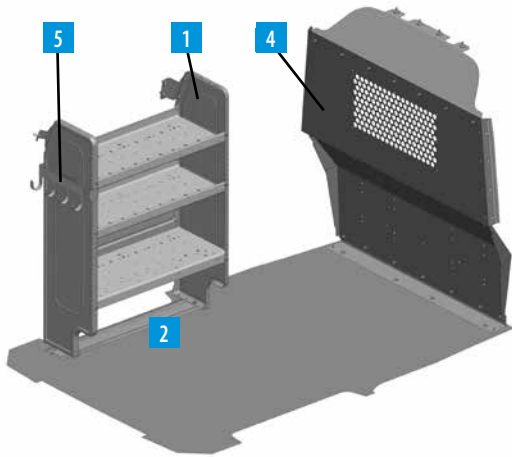
Includes two 32" ADseries Shelves
(#4964)

MSRP Value \$1410

Less Nissan Contribution

CUSTOMER RESPONSIBILITY: \$400

ITEM	MODEL	DESCRIPTION	QTY
1	AD32FP	ADseries Shelf 32"	2
2	RKNV2-SS	Rail Kit-NV200 streetside	1
3	RKNV2-CS	Rail Kit-NV200 curbside	1
4	P2NV2S	Steel Partition, NV200	1
5	TA1WAD	Hook Bar	1



CARGO MANAGEMENT PACKAGE #2

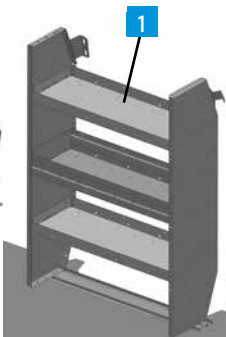
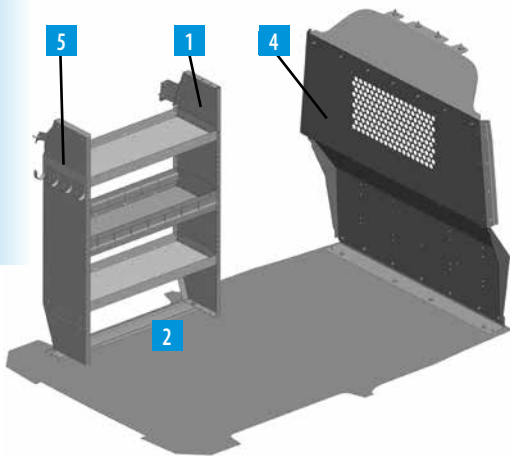
Includes two 32" HD Series Shelves
(#4965)

MSRP Value \$1490

Less Nissan Contribution

CUSTOMER RESPONSIBILITY: \$450

ITEM	MODEL	DESCRIPTION	QTY
1	HD-32NV2	HD Shelf 12"x32"	2
2	RKNV2-SS	Rail Kit-NV200 streetside	1
3	RKNV2-CS	Rail Kit-NV200 curbside	1
4	P2NV2S	Steel Partition, NV200	1
5	TA1WAD	Hook Bar	1



NV200

NISSAN COMMERCIAL INCENTIVE PROGRAM

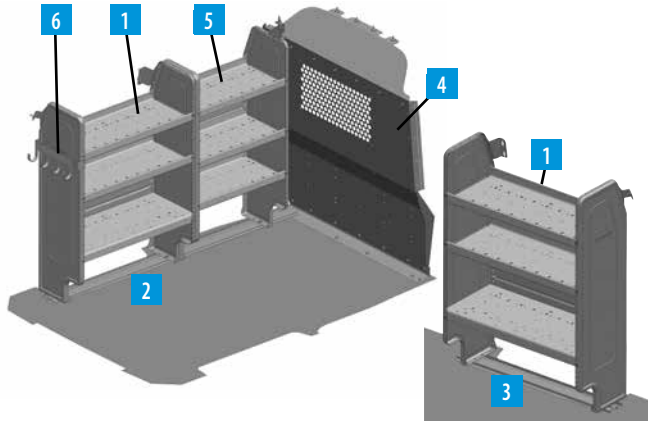
NV200 COMPACT CARGO - UPGRADE PACKAGES

CARGO MANAGEMENT PACKAGE #3

Includes two 32" & one 28" ADseries Shelves
(#4966)

MSRP Value \$1785
 Less Nissan Contribution

CUSTOMER RESPONSIBILITY: \$650



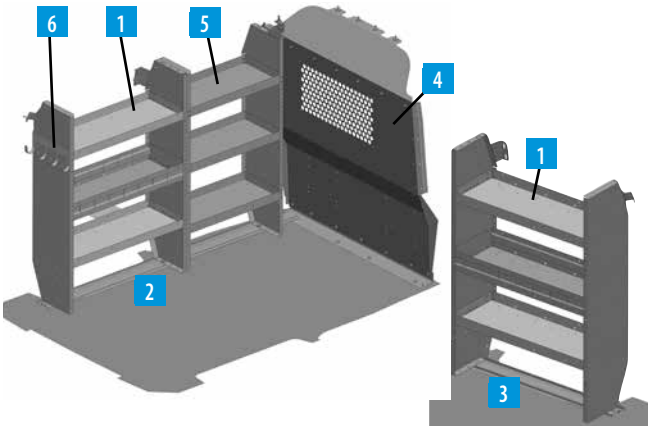
ITEM	MODEL	DESCRIPTION	QTY
1	AD32FP	ADseries Shelf 32"	2
2	RK67NV2-SS	Rail Kit-NV200 dbl streetside	1
3	RKNV2-CS	Rail Kit-NV200 curbside	1
4	P2NV2S	Steel Partition, NV200	1
5	AD28NV2	ADseries Shelf 28"	1
6	TA1WAD	Hook Bar	1

CARGO MANAGEMENT PACKAGE #4

Includes two 32" & one 28" HD Series Shelves
(#4967)

MSRP Value \$1970
 Less Nissan Contribution

CUSTOMER RESPONSIBILITY: \$750



ITEM	MODEL	DESCRIPTION	QTY
1	HD-32NV2	HD Shelf 12"x32"	2
2	RK67NV2-SS	Rail Kit-NV200 dbl streetside	1
3	RKNV2-CS	Rail Kit-NV200 curbside	1
4	P2NV2S	Steel Partition, NV200	1
5	HD-28NV2	HD Shelf 12"x28"	1
6	TA1	Hook Bar	1

GRIP LOCK LADDER RACK PACKAGE

(#4968)

MSRP Value \$1600
 Less Nissan Contribution

CUSTOMER RESPONSIBILITY: \$600

ITEM	MODEL	DESCRIPTION	QTY
1	63-NV2	Grip-Lock Rack, NV200	1
2	P2NV2S	Steel Partition, NV200	1

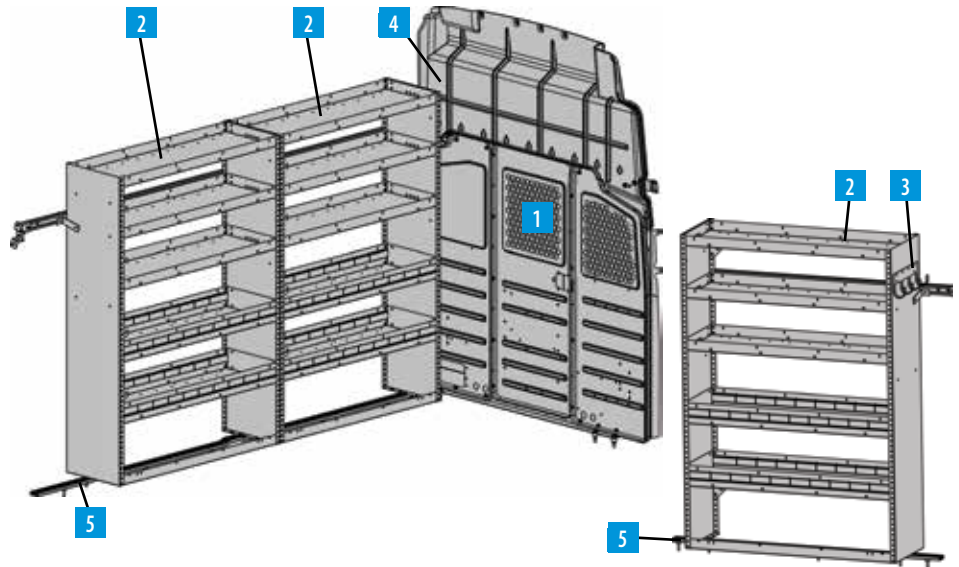


NV200

* Nissan Commercial Incentive Program provided by Nissan North America, Inc. for eligible NV Cargo vans.
 * Program available only through Nissan Business Certified Dealers in the United States.

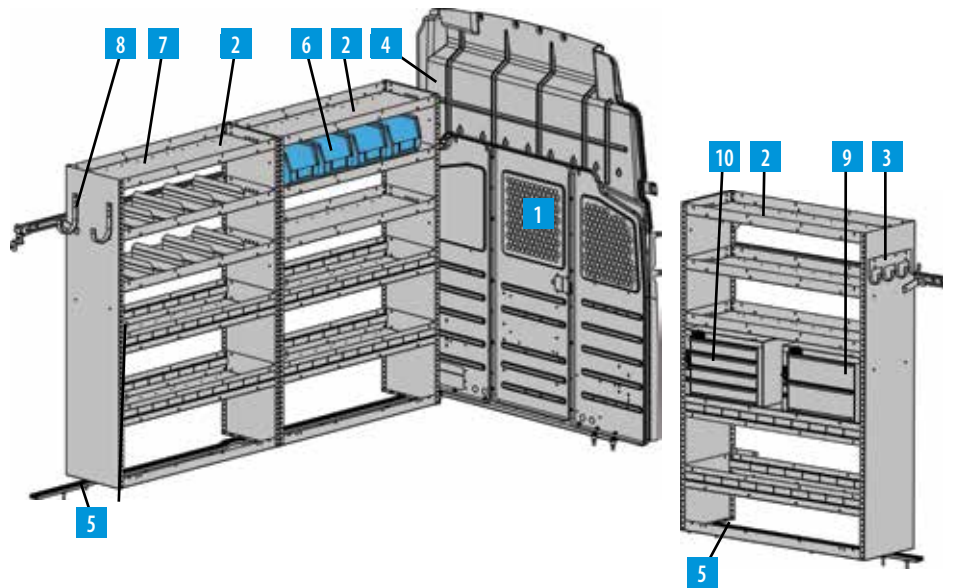
5074NH
CARGO MANAGEMENT SYSTEM
60" TALL SHELVING
NV Cargo High Roof

ITEM	MODEL	DESCRIPTION	QTY
1	S1M2C2FSV	Partition	1
2	HD42NVH	HD Series Shelving Unit 60"	3
3	TA1	Four Hook Bar	1
4	WKC1LCVH	Partition wing kit - high roof	1
5	RKLCV	Rail Kit	1



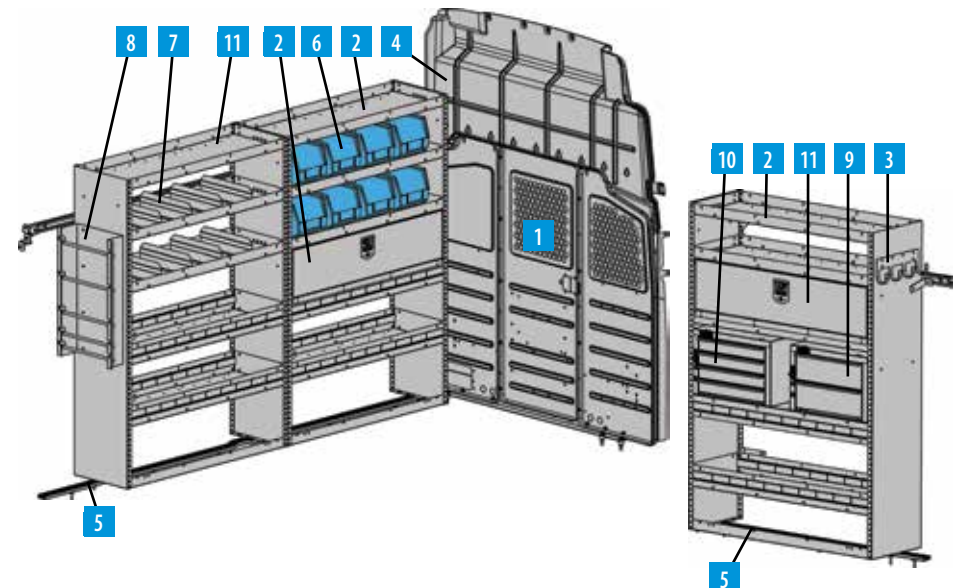
5075NH
GENERAL SERVICE PACKAGE
60" TALL SHELVING
NV Cargo High Roof

ITEM	MODEL	DESCRIPTION	QTY
1	S1M2C2FSV	Partition	1
2	HD42NVH	HD Series Shelving Unit 60"	3
3	TA1	Four Hook Bar	1
4	WKC1LCVH	Partition wing kit - high roof	1
5	RKLCV	Rail Kit	1
6	28	Blue Bin	4
7	DV14	Divider	8
8	UH50	5" Hook	2
9	19	Two Drawer Medium	1
10	9	Four Drawer Shallow	1



5076NH
ELECTRICAL CONTRACTOR PACKAGE
60" TALL SHELVING
NV Cargo High Roof

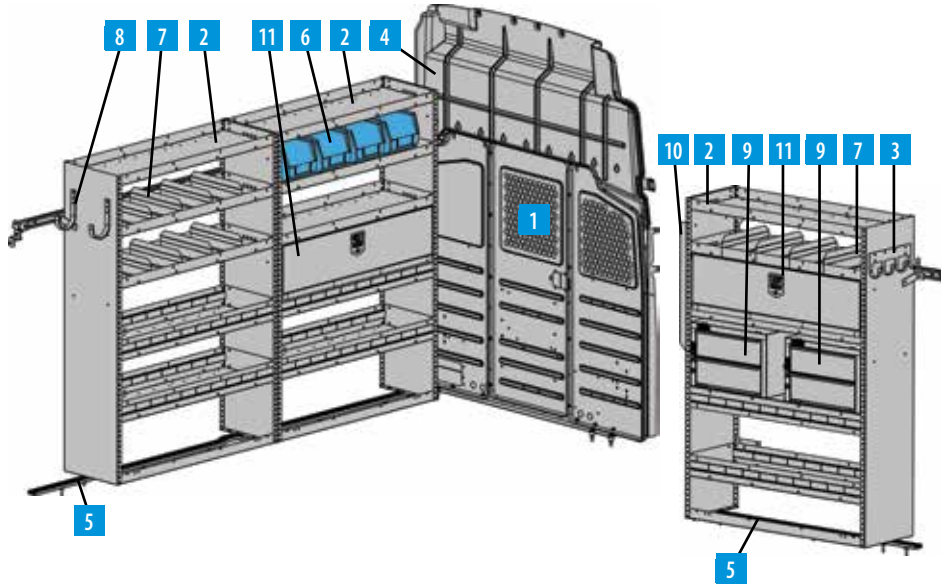
ITEM	MODEL	DESCRIPTION	QTY
1	S1M2C2FSV	Partition	1
2	HD42NVH	HD Series Shelving Unit 60"	3
3	TA1	Four Hook Bar	1
4	WKC1LCVH	Partition wing kit - high roof	1
5	RKLCV	Rail Kit	1
6	28	Blue Bin	8
7	DV14	Divider	8
8	WRH5	Wire Reel Holder	1
9	19	Two Drawer Medium	1
10	9	Four Drawer Shallow	1
11	DK542	Door Kit	2



NV CARGO

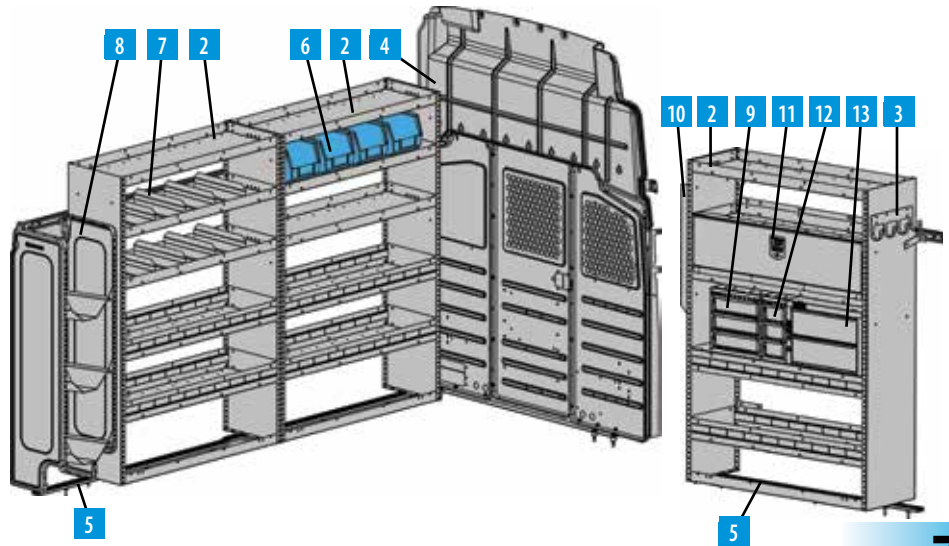
5077NH
SECURITY PACKAGE
60" TALL SHELVING
NV Cargo High Roof

ITEM	MODEL	DESCRIPTION	QTY
1	S1M2C2FSV	Partition	1
2	HD42NVH	HD Series Shelving Unit 60"	3
3	TA1	Four Hook Bar	1
4	WKC1LCVH	Partition wing kit - high roof	1
5	RKLCV	Rail Kit	1
6	28	Blue Bin	4
7	DV14	Divider	12
8	UH50	5" Hook	2
9	19	Two Drawer Medium	2
10	CB5	Five Slot Literature Rack	1
11	DK542	Door Kit	2



5079NH
HVAC PACKAGE
60" TALL SHELVING
NV Cargo High Roof

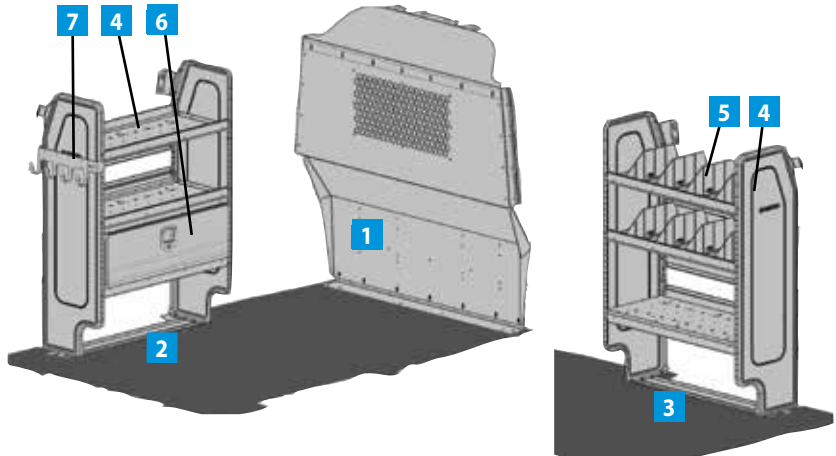
ITEM	MODEL	DESCRIPTION	QTY
1	S1M2C2FSV	Partition	1
2	HD42NVH	HD Series Shelving Unit 60"	3
3	TA1	Four Hook Bar	1
4	WKC1LCVH	Partition wing kit - high roof	1
5	RKLCV	Rail Kit	1
6	28	Blue Bin	4
7	DV14	Divider	8
8	TH51FP	Tank Rack	1
9	DC12	Drawer Component 12"	1
10	CB5	Five Slot Literature Rack	1
11	DK542	Door Kit	1
12	DC6	Drawer Component 6"	1
13	19	Two Drawer Medium	1



NV CARGO

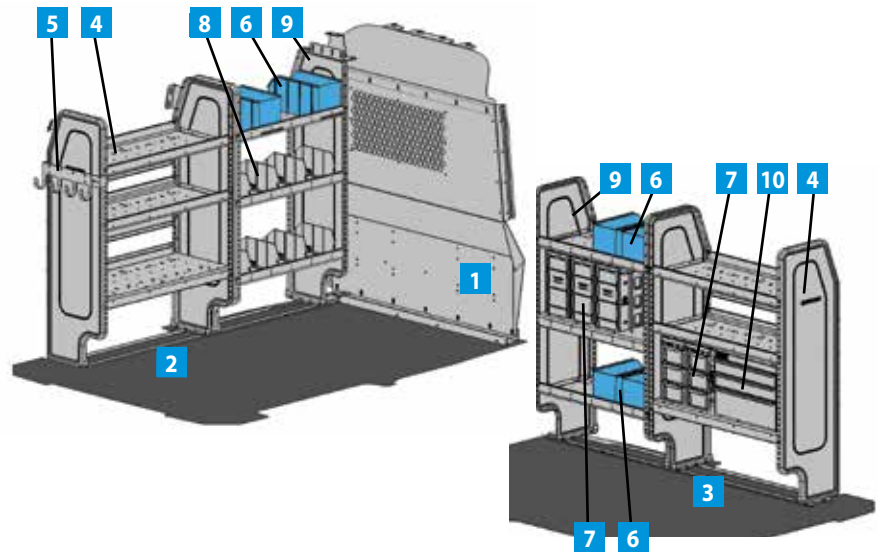
**5098
COMMERCIAL SHELVING PACKAGE
14" ADSERIES SHELVING
NV200 Compact Cargo**

ITEM	MODEL	DESCRIPTION	QTY
1	P2NV2S	Steel Partition, NV200	1
2	RKNV2-SS	Rail Kit-NV200 streetside	1
3	RKNV2-CS	Rail Kit-NV200 curbside	1
4	AD32FP	ADseries Shelf 32"	2
5	DV14C8	Divider kit of 8	1
6	DK532	Door Kit	1
7	TA1WAD	Four Hook Bar	1



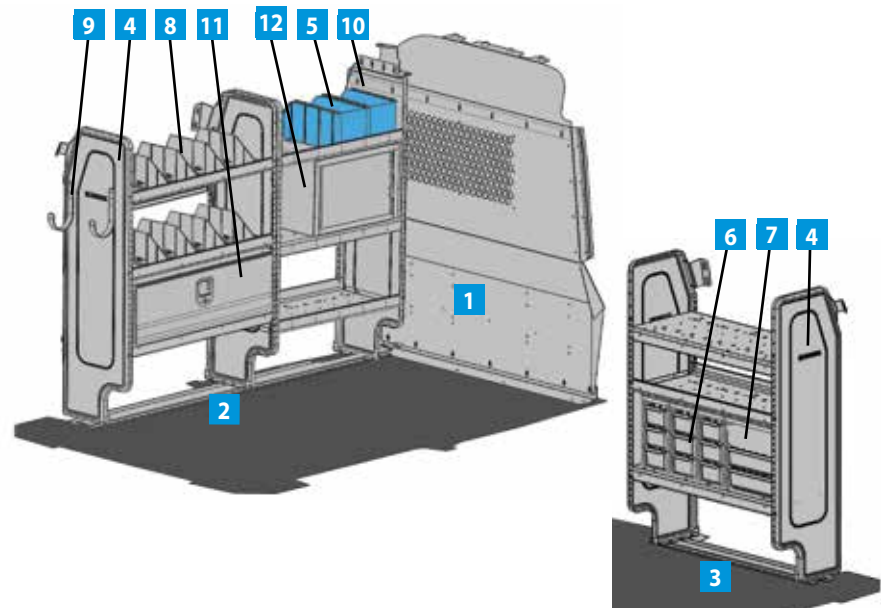
**5100
GENERAL SERVICE PACKAGE
14" ADSERIES SHELVING
NV200 Compact Cargo**

ITEM	MODEL	DESCRIPTION	QTY
1	P2NV2S	Steel Partition, NV200	1
2	RK67NV2-SS	Rail Kit-NV200 streetside	1
3	RK67NV2-CS	Rail Kit-NV200 curbside	1
4	AD32FP	ADseries Shelf 32"	2
5	TA1WAD	Four Hook Bar	1
6	SBIN060614	6" Snap-in Bin	6
7	DC6	6" Drawer Component	5
8	DV14C8	Divider kit of 8	1
9	AD28NV2	ADseries Shelf 28"	2
10	919	3 Drawer Combo	1



**5097
TELECOMMUNICATIONS PACKAGE
14" ADSERIES SHELVING
NV200 Compact Cargo**

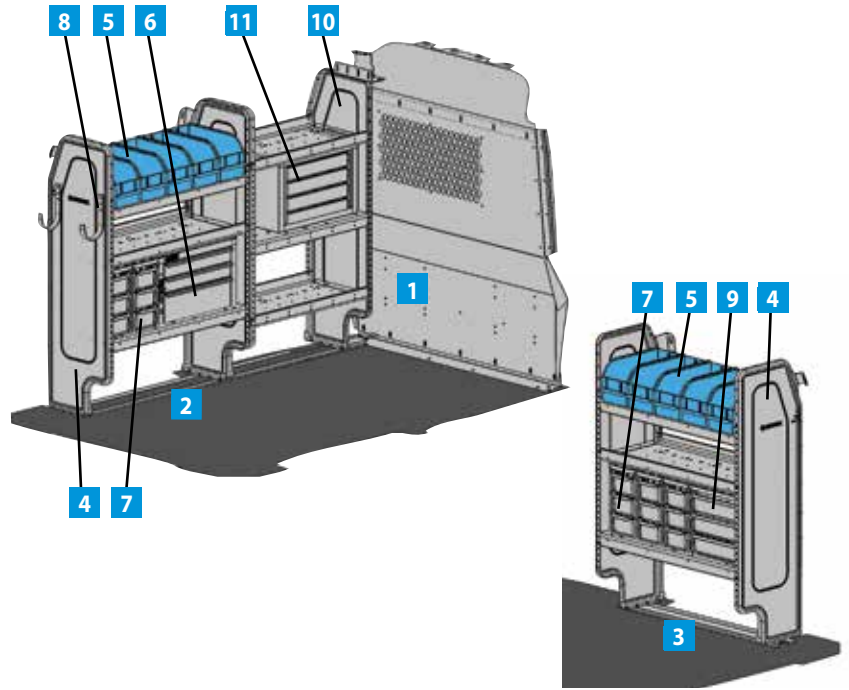
ITEM	MODEL	DESCRIPTION	QTY
1	P2NV2S	Steel Partition, NV200	1
2	RK67NV2-SS	Rail Kit-NV200 streetside	1
3	RKNV2-CS	Rail Kit-NV200 curbside	1
4	AD32FP	ADseries Shelf 32"	2
5	SBIN060614	6" Snap-in Bin	2
6	DC6	6" Drawer Component	3
7	DC12	12" Drawer Component	1
8	DV14C8	Divider kit of 8	1
9	UH50	5" Hook	2
10	AD28NV2	ADseries Shelf 28"	1
11	DK532	Door Kit	1
12	19	2 Drawer Medium	1



NV200

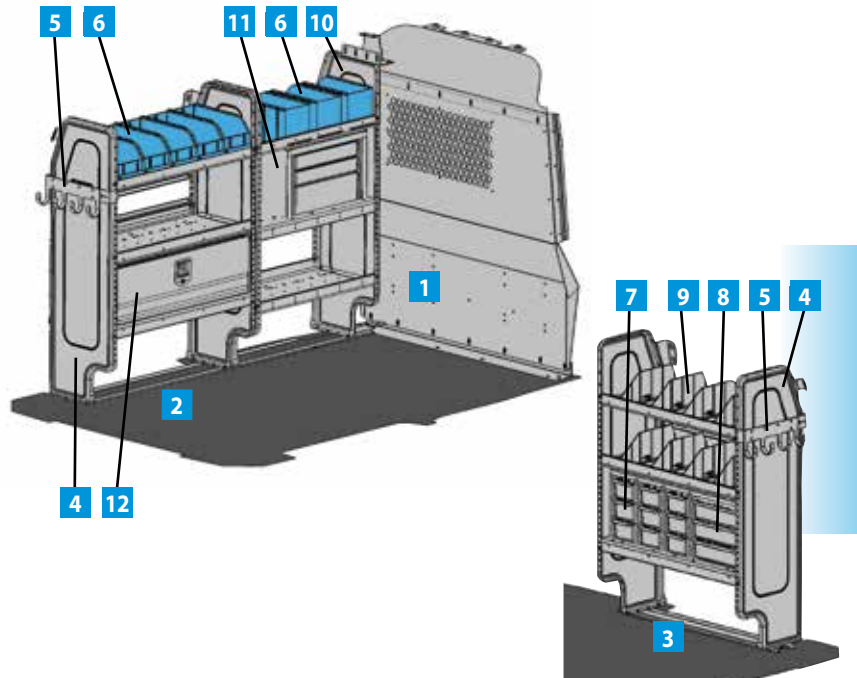
**5096
PLUMBING PACKAGE
14" ADSERIES SHELVING
NV200 Compact Cargo**

ITEM	MODEL	DESCRIPTION	QTY
1	P2NV2S	Steel Partition, NV200	1
2	RK67NV2-SS	Rail Kit-NV200 streetside	1
3	RKNV2-CS	Rail Kit-NV200 curbside	1
4	AD32FP	ADseries Shelf 32"	2
5	SBIN060614	6" Snap-in Bin	10
6	919	Drawer Unit	1
7	DC6	6" Drawer Component	5
8	UH50	5" Hook	2
9	DC12	12" Drawer Component	1
10	AD28NV2	ADseries Shelf 28"	1
11	9	4 Drawer Shallow	1
12	SRAILAD32	Bin Retention Rail 32"	2
13	BAGSRAIL	Fastener Bag	1



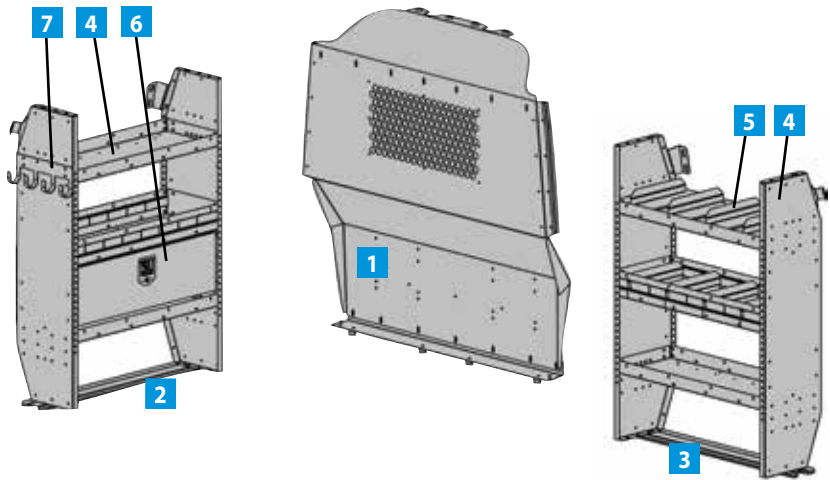
**5099
ELECTRICAL PACKAGE
14" ADSERIES SHELVING
NV200 Compact Cargo**

ITEM	MODEL	DESCRIPTION	QTY
1	P2NV2S	Steel Partition, NV200	1
2	RK67NV2-SS	Rail Kit-NV200 streetside	1
3	RKNV2-CS	Rail Kit-NV200 curbside	1
4	AD32FP	ADseries Shelf 32"	2
5	TA1WAD	Four Hook Bar	2
6	SBIN060614	6" Snap-in Bin	8
7	DC6	6" Drawer Component	3
8	DC12	12" Drawer Component	1
9	DV14C8	Divider kit of 8	1
10	AD28NV2	ADseries Shelf 28"	1
11	919	3 Drawer Combo	1
12	DK532	Door Kit	1
13	SRAILAD32	Bin Retention Rail 32"	1
14	BAGSRAIL	Fastener Bag	1



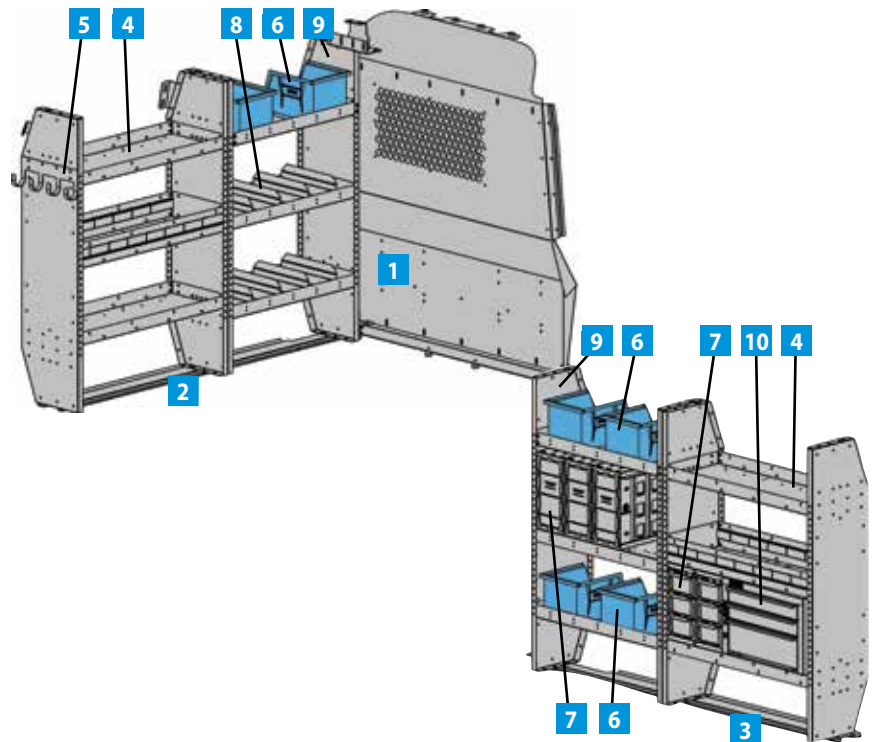
5082
COMMERCIAL SHELVING PACKAGE
12" HD SERIES SHELVING
NV200 Compact Cargo

ITEM	MODEL	DESCRIPTION	QTY
1	P2NV2S	Steel Partition, NV200	1
2	RKNV2-SS	Rail Kit-NV200 streetside	1
3	RKNV2-CS	Rail Kit-NV200 curbside	1
4	HD-32NV2	HD Shelf 12"x32"	2
5	DV12	Dividers	6
6	DK532	Door Kit	1
7	TA1	Four Hook Bar	1



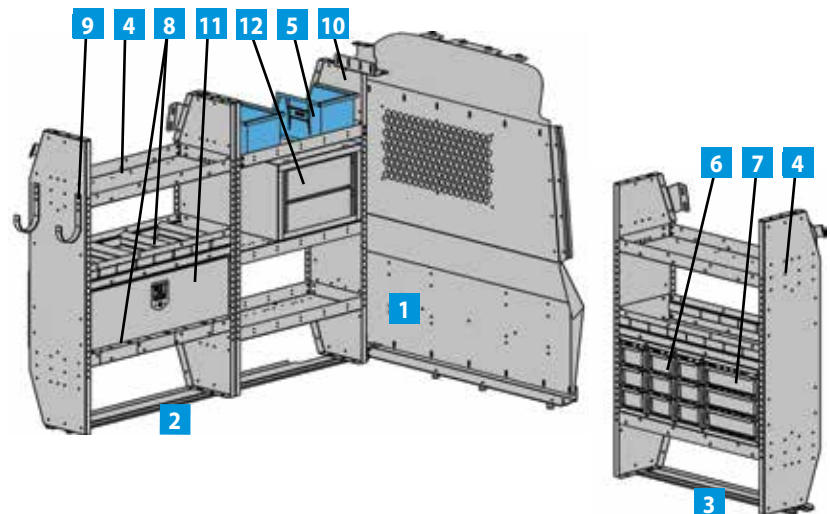
5084
GENERAL SERVICE PACKAGE
12" HD SERIES SHELVING
NV200 Compact Cargo

ITEM	MODEL	DESCRIPTION	QTY
1	P2NV2S	Steel Partition, NV200	1
2	RK67NV2-SS	Rail Kit-NV200 streetside	1
3	RK67NV2-CS	Rail Kit-NV200 curbside	1
4	HD-32NV2	HD Shelf 12"x32"	2
5	TA1	Four Hook Bar	1
6	28	Blue Bin	6
7	DC6	6" Drawer Component	5
8	DV12	Dividers	8
9	HD-28NV2	HD Shelf 12"x28"	2
10	919	3 Drawer Combo	1



5081
TELECOMMUNICATIONS PACKAGE
12" HD SERIES SHELVING
NV200 Compact Cargo

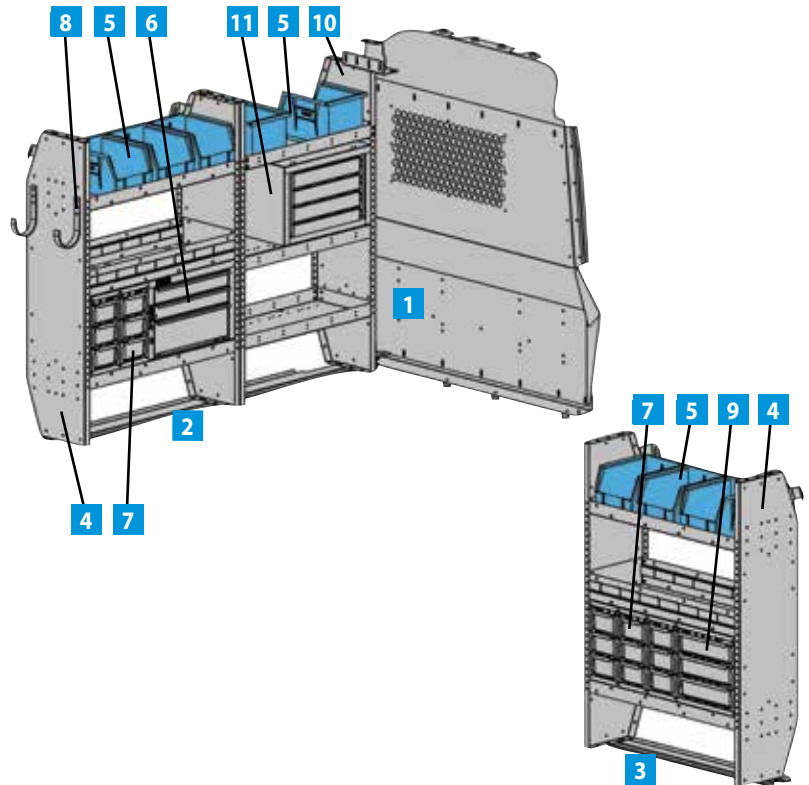
ITEM	MODEL	DESCRIPTION	QTY
1	P2NV2S	Steel Partition, NV200	1
2	RK67NV2-SS	Rail Kit-NV200 streetside	1
3	RKNV2-CS	Rail Kit-NV200 curbside	1
4	HD-32NV2	HD Shelf 12"x32"	2
5	28	Blue Bin	2
6	DC6	6" Drawer Component	3
7	DC12	12" Drawer Component	1
8	DV12	Dividers	8
9	UH50	5" Hook	2
10	HD-28NV2	HD Shelf 12"x28"	1
11	DK532	Door Kit	1
12	19	2 Drawer Medium	1



NV200

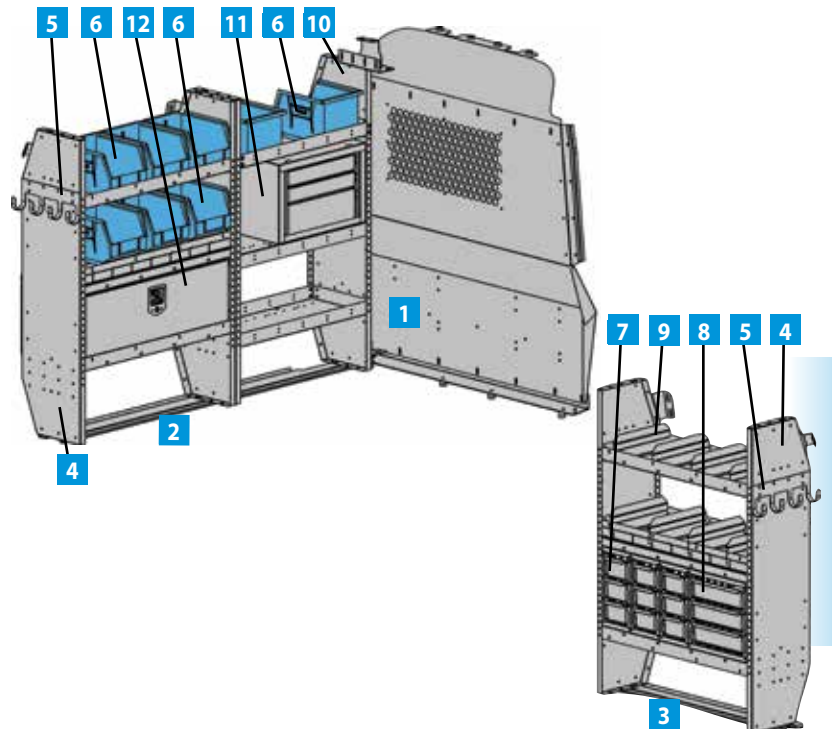
**5080
PLUMBING PACKAGE
12" HD SERIES SHELVING
NV200 Compact Cargo**

ITEM	MODEL	DESCRIPTION	QTY
1	P2NV2S	Steel Partition, NV200	1
2	RK67NV2-SS	Rail Kit-NV200 streetside	1
3	RKNV2-CS	Rail Kit-NV200 curbside	1
4	HD-32NV2	HD Shelf 12"x32"	2
5	28	Blue Bin	8
6	919	Drawer Unit	1
7	DC6	6" Drawer Component	5
8	UH50	5" Hook	2
9	DC12	12" Drawer Component	1
10	HD-28NV2	HD Shelf 12"x28	1
11	9	4 Drawer Shallow	1



**5083
ELECTRICAL PACKAGE
12" HD SERIES SHELVING
NV200 Compact Cargo**

ITEM	MODEL	DESCRIPTION	QTY
1	P2NV2S	Steel Partition, NV200	1
2	RK67NV2-SS	Rail Kit-NV200 streetside	1
3	RKNV2-CS	Rail Kit-NV200 curbside	1
4	HD-32NV2	HD Shelf 12"x32"	2
5	TA1	Four Hook Bar	2
6	28	Blue Bin	8
7	DC6	6" Drawer Component	3
8	DC12	12" Drawer Component	1
9	DV12	Dividers	8
10	HD-28NV2	HD Shelf 12"x28	1
11	919	3 Drawer Combo	1
12	DK532	Door Kit	1



NV200

ADRIAN STEEL PARTITIONS KEEP CARGO WHERE IT BELONGS, IN THE CARGO AREA!

Stamped steel partitions are available for both Nissan NV Cargo Standard and High Roof vans. The perforated panels allow for side and rear visibility, while increasing cab area climate control. Max Comfort Wing Kits allow for 3 inches of additional front seat adjustability for more cab and leg room. Partition accessories can be attached for easy reach.



Shown: S1M2C2FSV High roof partition with WKC1LCVH wing kit.

S1 Solid
S2 Perforated Top
Panels mount behind driver seat.

M1 Solid
M2 Perforated Top
Fixed center panels can be hinged as key-locking doors

C1 Solid
C2 Perforated Top
Panels mount behind passenger seat

Max Comfort Wing Kit
Partition setback allows for 3" of additional front seat adjustability for more cab and leg room. (Reduces cargo space by 3".)

S-M-C SERIES PARTITIONS

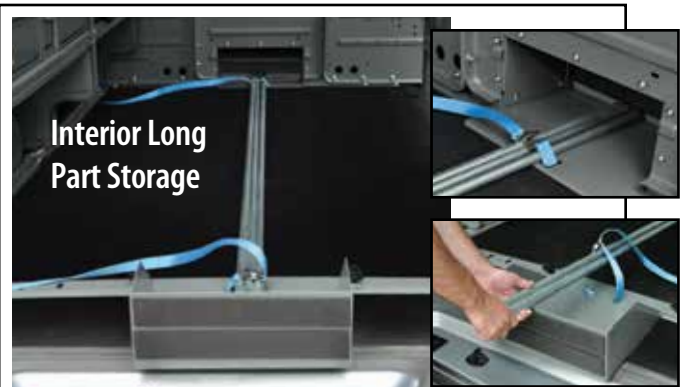
- Choose from solid or perforated panels.
- Partition mounts behind the B-pillar allowing for maximum cab comfort.
- Center M panels can be fixed or hinged with a key-locking door. All hinged door partitions come standard with two 6" hinges, bulb seal and a slam latch. These features reduce vibration noise.
- Partitions feature pre-drilled holes for adding accessories easily, and larger pass-through holes for routing wiring.
- Stamped steel panels reduce product weight without sacrificing strength.

Note: Extended wing kits reduce the amount of cargo space. Please confirm the interior layout of the van package to confirm that the extended wing kit has adequate room needed for installation.



Shown: S1M2C2FSV Standard roof partition with WKC1LCVS wing kit.

PARTITION PANEL KIT PART NUMBER	
FIXED CENTER PANEL	
SOLID PANELS	S1M1C1FSV
CENTER PANEL PERF. TOP ONLY	S1M2C1FSV
PERF. CENTER & CURB PANELS	S1M2C2FSV
ALL PANELS PERFORATED	S2M2C2FSV
HINGED CENTER PANEL "DOOR"	
SOLID PANELS	S1M1HC1FSV
CENTER PANEL PERF. TOP ONLY	S1M2HC1FSV
PERF. CENTER & CURB PANELS	S1M2HC2FSV
ALL THREE PANELS PERFORATED	S2M2HC2FSV
WING KITS	
STANDARD ROOF	WKC1LCVS - MAX CARGO
	WKC1LCVS3 - MAX COMFORT
HIGH ROOF	WKC1LCVH - MAX CARGO
	WKC1LCVH3 - MAX COMFORT



Carry 10 feet of conduit or pipe inside your NV Cargo with the Long Part Storage Kit!

The modified middle partition panel has an extended box which has a 13 3/4" wide by 5 3/4" high opening in the M panel. Tie down straps are provided at the front and the rear of the product to secure the load. The rear tray is positioned to contain the cargo and protect the rear doors. Fits late model Adrian Steel SMC partitions only. Not compatible with hinged door partition option.

MODEL	DESCRIPTION
M1FLP	M1 panel w/Long Parts Storage Kit
M2FLP	M2 panel w/Long Parts Storage Kit
S1M1C1FLP	S1M1C1 Panel Kit w/Long Parts Storage Kit
S1M2C1FLP	S1M2C1 Panel Kit w/Long Parts Storage Kit
S1M2C2FLP	S1M2C2 Panel Kit w/Long Parts Storage Kit

STEEL AND WIRE PARTITION OPTIONS FOR THE NEW NV200 COMPACT CARGO

Whether you are looking for climate control or maximum visibility, Adrian steel offers two partition options for the new NV200 Compact Cargo van. Both options securely separate the cab from the cargo area.



Best choice for climate control and noise reduction!



P2NV2S Steel Partition for NV200

- Features all steel panels to safeguard the cab area against moving or shifting cargo.
- Recessed design allows for maximum adjustability of front seats.
- Perforated window provides full visibility of your cargo area and rear windows.
- Steel header and full perimeter wings provide optimal security.
- Recessed bottom panel provides room for a 6 foot step ladder or other accessories.

Note: Wing kits are not needed.



P2NV2FW Full Wire Mesh Partition for NV200

- Provides maximum visibility while safeguarding your van cab area against moving, shifting cargo.
- Recessed design allows for maximum adjustability of your driver and passenger seats.
- Lightweight and economical, without sacrificing safety and security.



NV200

EXCLUSIVELY FROM ADRIAN STEEL: A SHELVING PLATFORM THAT ALLOWS YOU TO PUT SHELVES WHERE YOU WANT THEM, NOT WHERE WE THINK YOU NEED THEM!

ADseries is the next generation of cargo management solutions, engineered to optimize your work van storage and accessibility. Featuring truly ADjustable shelves, an ADaptable rail system, heavy-duty shelves and an ADvanced stamped steel end panel designed to accommodate the diverse range of cargo you need to get the job done. ADseries is ADrian made and backed by our industry-leading 3 year/36,000 mile warranty.



**ALSO AVAILABLE:
60 SERIES SHELVING FOR THE NV CARGO HIGH ROOF**



The HD (heavy-duty) Series

Utilize the height of your high roof NV Cargo with heavy-duty adjustable shelving. Features five adjustable shelves. Shelf gussets, end panel braces and full floor-rail provide extra strength.

MODEL	OVERALL SIZE
HD32NVH	32" x 60" x 14"
HD42NVH	42" x 60" x 14"
HD52NVH	52" x 60" x 14"



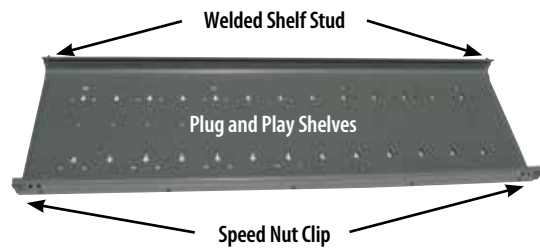
ADVANCED DESIGN

Stamped steel end panels and shelves, ADseries components are strong, durable and ready to work hard. 6" knock out provides a 48" floor space to accommodate 4'x 8' sheet goods (up to 22 sheets of 1/4" drywall or a combination of thicknesses).

Nissan NV Cargo end panels provide 38.75" between the panels from the top to bottom maximizing aisle space.

ADJUSTABLE SHELVES

Tools, equipment and cargo come in all shapes and sizes and until now, there hasn't been a shelving unit that is truly adjustable. The ADseries is the first of it's kind where, with only a screwdriver, you can simply remove the front shelf bolts and move the shelf where you need it. Shelves can be adjusted in one inch increments and provide the most flexible shelving solution available.



ADAPTABLE INTERIOR

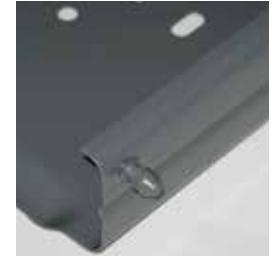
Everyone likes to set their work van up their own way. The new ADseries shelving lets you position the shelving where you need it. Exclusive to the ADseries, the unique rail system enables you to reposition the shelving in the van, increasing the available space for trade specific equipment. All of this is done without removing bolts, plugging holes and redrilling the van!

ADD ACCESSORIES

Businesses change over time and your van interior should be able to change with your needs. Plug and Play shelves have prepunched holes that allow adding storage solutions easily! ADseries dividers simply snap in place, drawer units simply bolt in and door kits can be added to lock your more valuable parts and equipment. Many Adrian Steel accessories can be added to the ADseries shelving with the rail adapter kits and end panel brackets.

ADSERIES SHELF UNITS AND RAIL KITS

MODEL	SIZE	DESCRIPTION
AD26LCV	26"W x 50"H x 14"D	fits Nissan NV Cargo
AD28NV2	28"W x 46"H x 14"D	fits NV200 Compact Cargo
AD32FP	32"W x 46"H x 14"D	fits NV200 Compact Cargo
AD32LCV	32"W x 50"H x 14"D	fits Nissan NV Cargo
AD44LCV	44"W x 50"H x 14"D	fits Nissan NV Cargo
AD50LCV	50"W x 50"H x 14"D	fits Nissan NV Cargo
RKLCV	Rail System	fits Nissan NV Cargo
RK67NV2-CS	Rail Kit-curbiside	fits NV200 Compact Cargo
RK67NV2-SS	Rail Kit-streetside	fits NV200 Compact Cargo
RKNV2-CS	Rail Kit-curbiside	fits NV200 Compact Cargo
RKNV2-SS	Rail Kit-streetside	fits NV200 Compact Cargo



Truly Adjustable Shelves All you need is a phillips screwdriver! Simply remove two bolts from the speed nut clips that come with the shelf, tilt the shelf upwards, move the shelf to your desired location, insert the rear shelf studs, reattach the bolts and you're done!

Rear Shelf Studs unique design lock shelves in place!



ADSERIES ACCESSORIES

MODEL	SIZE/DESCRIPTION
DV14C1	Divider for ADseries/Single
DV14C8	Divider for ADseries/8 Pack
DK3008	8" High Door Kit/AD32LCV
DK3010	10" High Door Kit/AD32LCV
DK4208	8" High Door Kit/AD44LCV
DK4210	10" High Door Kit/AD44LCV
DK4808	8" High Door Kit/AD50LCV
DK4810	10" High Door Kit/AD50LCV
BRK14EPS	End Panel Bracket To Add on Accessories
RKA1	Rail Kit Adapter/See list at right
RKA3	Rail Kit Adapter3/See list at right
RKA4	Rail Kit Adapter4/See list at right
RKABRK1	Rail Kit Adapter/End Panel Bracket/See list
RKABRK2	Rail Kit Adapter/17A
RKANV	Rail Kit Adapter for NV
RKAWTR	Rail Kit Adapter/Welded Tank Racks
RKA919	Rail Kit Adapter/#9, #19, #919 Drawer Units
35325-G	32" Long Shelf
35327-G	44" Long Shelf
35328-G	50" Long Shelf

RKA1 – Rail Adapter Kit 1
Use with: CB2, CB3, CB4 (uses 2)

RKA3 – Rail Adapter Kit 3
Use with: #1, #12, #2, #8, DC Units, 17A, CRH2, TA19, TA5

RKA4 – Rail Adapter Kit 4
Use with: CL1446D/R, #40, KDRH2, KD Shelving Units, #33, #3, #33W, JD Shelving

BRK14EPS – ADseries end panel accessory attachment bracket.
Use with: 17A, CB5, 43, TA19, TA20, WRH5, UH10/25/50, PA9, PA8, ACT3/4, PA11, AGSCH2, PA7, TH30, TH50, TA5

RKABRK1 – Used with TA19, TA20, TA5

Note: Rails are not included with the shelf units. Rail kits must be ordered separately

Note: Shelves have the following weight rating:

Shelves positioned with the shelf lips facing up have a rating of 100lbs per shelf evenly distributed.

Shelves positioned with the shelf lips facing down have a rating of 200lbs per shelf evenly distributed.

SPECIFIC JOBS DEMAND SPECIFIC STORAGE SOLUTIONS.

Cabinet and Drawer Modules provide secure storage for large and small tools and parts. The modular design allows you to get what you need now and the ability to add more when you need it. Whatever the job demands, Adrian has the storage solutions to transport your gear safely and securely.



TANK CABINETS

- Provide vented storage for Propane, Mapp gas or CO2 tanks.
- Cabinets feature a full door gasket with two snap latches for positive door closure.
- Interior cabinet cradle and retaining straps (foam yokes for TA19) secure tanks and prevent movement.
- Floor vent and tubing are included for exhausting fumes.
- Propane cabinets store 20, 30 or 40 lb. tanks.
- Mapp Gas Cabinets store 6 1/2" diameter tanks.
- CO2 Tank Cabinets store 20 lb. cylinders.

MODEL	DESCRIPTION	CABINET SIZE
TA18	Propane Cabinet	14-3/4"W x 36"H x 13"D
TA19	CO2 Tank Cabinet	13"W x 32"H x 12-1/2"D
TA20	Mapp Gas Cabinet	14"W x 26"H x 8"D

Vented gas storage solutions



Folding T handles don't stick out into aisles.

SHELF CABINETS

- Available in 12" and 18" front to rear lengths
- Can be used free standing or stacked with our lockable drawer units.
- Feature locking recessed tee-handles for secure storage and receive a durable gray powder coat finish.
- Cabinets feature an open side and can be combined for side-by-side use holding items up to 35" long.
- Optional end panel can be added to close off side when required.
- Include an adjustable shelf that can be removed
- Cabinets provide a solid surface to stack modular drawers, cabinets and bins.

MODEL	DESCRIPTION	CABINET SIZE
1	Shelf Cabinet	18"W x 22"H x 18"L
12	Shelf Cabinet Open Side	18"W x 22"H x 12"L
1A	Optional Shelf	No. 1
12A	Optional End Panel	No.12



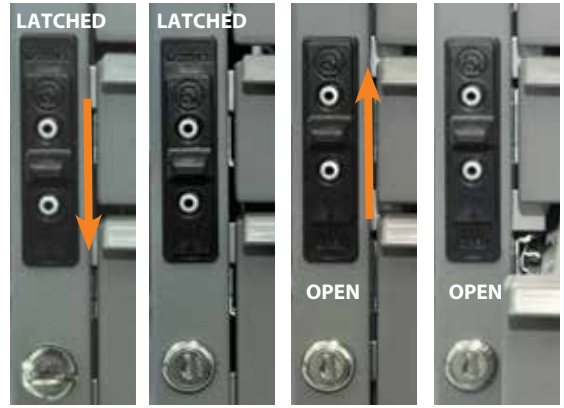
CABINET LOCKERS

- Full-door Lockers feature a 46" high storage space with 3 removable shelves.
- Short-door Lockers feature a 33" high storage area and with 2 removable shelves.
- Locker doors are reversible for flexibility and feature locked recessed T-handles for security.
- Cabinet Lockers taper from 14" to 12" from front to back in depth at top and bottom to maximize aisle space.

MODEL	DESCRIPTION	CABINET SIZE
CL1446R	Cabinet Locker Full Door	18"W x 46"H x 14"D
CL1446D	Cabinet Locker Short Door	18"W x 46"H x 14"D



2.5" deep drawers come with ABS divided and removable trays perfect for small parts.



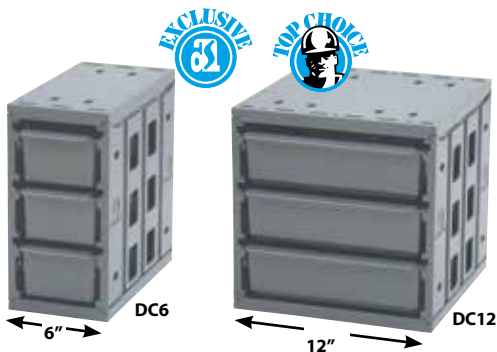
Latched & Locked Latched & Unlocked Drawers Unlatched Drawers Open

DRAWER UNITS – LOCK 'N LATCH SYSTEM

- Our exclusive Lock 'n Latch system provides a choice of drawers open, drawers retained or drawers locked position.
- Drawers are made of an engineered composite material for durability with heavy-duty drawer glides for support and smoother drawer operation.
- The new drawer glides significantly increase the ease of use when opening and closing the drawer units. They all but eliminate the rattle noise of the drawers when the driving the vehicle.
- Drawers and glides can be repositioned within cabinet for increased flexibility.
- Divide 5" deep drawers into compartments using optional metal "egg crate" dividers.

MODEL	DESCRIPTION	DRAWER SIZE (QTY.)
19	2 Drawer Medium	16"W x 5"D x 11-1/2"L (2)
919	3 Drawer Combo	16"W x 2-1/2"D x 11-1/2"L (2) 16"W x 5"D x 11-1/2"L (1)
9	4 Drawer Shallow	16"W x 2-1/2"D x 11-1/2"L (4)
27	Divider Kit	19 or 919 Drawer (1)

Steel outer cabinet measures 18"W x 12"H x 12"L.

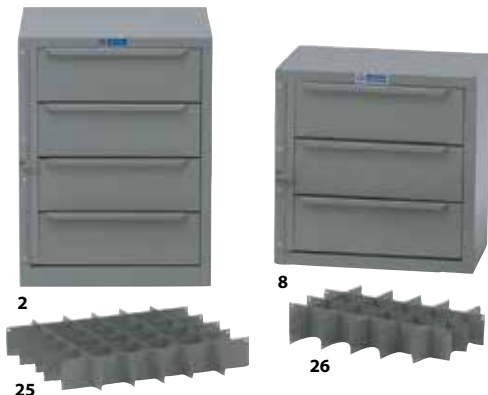


DRAWER COMPONENTS

- Organize small parts with our flexible and rugged composite Drawer Components.
- Drawer retention stops prevent drawers from opening while the vehicle is in transit.
- Made of a hi-impact polymer for a quiet operation.
- Each drawer comes with 2 dividers and 7 divider slots.
- Interlocking feature allows up to 2 units stacked vertically or multiple units horizontally.
- Choose from Adrian Steel's pre-configured drawer systems or create your own drawer system from the base models.

MODEL	DESCRIPTION	OVERALL SIZE
DC6	Base 3 drawer narrow model	6"W x 12"H x 12"D
DC12	Base 3 drawer wide model	12"W x 12"H x 12"D
DS06212V	Drawer System (2) DC12's	12"W x 24"H x 12"D
DS36012H	Drawer System (3) DC6's	18"W x 12"H x 12"D
DS46012	Drawer System (4) DC6's	12"W x 24"H x 12"D

5lb. weight capacity per drawer.



#2 Cabinet Size
18"W x 24"H x 18"L

#8 Cabinet Size
18"W x 18"H x 12"L

DRAWER UNITS – LOCKING HINGE AND HASP

- Drawers are welded and have reinforced drawer slides for strength.
- Can be locked with a padlock (not included) for security.
- Divide drawers with optional metal "egg crate" dividers.

MODEL	DESCRIPTION	DRAWER SIZE (QTY.)
8	3 Drawer Medium	16"W x 5"D x 11-1/2"L (3)
2	4 Drawer Medium	16"W x 5"D x 17-1/2"L (4)
25	Divider Kit	No. 2 Drawer (1)
26	Divider Kit	No. 8 Drawer (1)

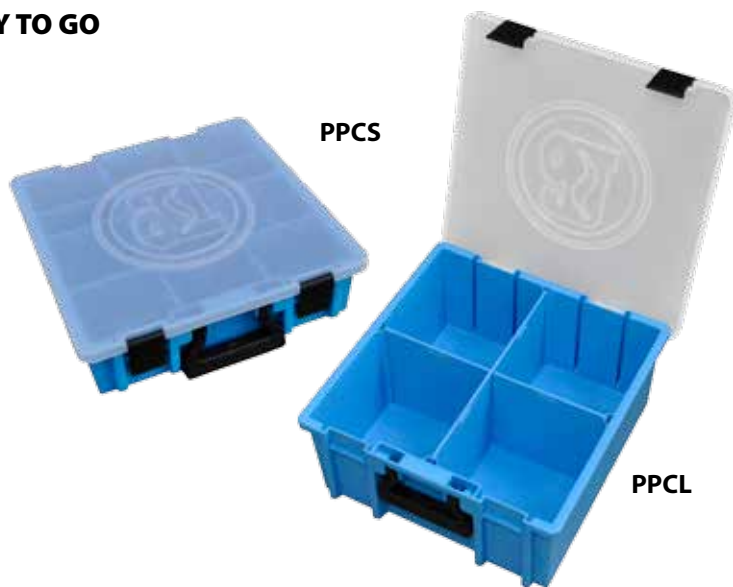
BE MORE EFFICIENT WITH INVENTORY THAT IS READY TO GO WHEN AND WHERE YOU ARE.

Versatile, lightweight, durable, convenient and mobile - these **Portable Parts Cases** are perfect for the tech who needs to carry small parts and inventory to the jobsite.

The impact resistant body can be organized with the included adjustable dividers. The see-through lids with snap latches make identifying contents easy.

PPCS 14" x 14" x 3.75"

PPCL 14" x 14" x 6.25"



CH-EP
15.5" x 11.25" x 37.5"
* FIRST AID KIT NOT INCLUDED



CHPPC5SM
19.5" x 14" x 35"



Add a single **CH1514SGL 18" x 14" x 12"** or double **CH-1514DBL 15" x 14" x 12"** **Case Holder** to an existing shelf to house included cases that stay put while in transport.

INCORPORATE THE PORTABLE PARTS CASES INTO YOUR VAN WITH THE STORAGE OPTION THAT FITS YOUR NEED.

Three different **Case Holder** options give you the ability to house multiple Portable Parts Cases near the vehicle door for easy access to grab-and-go. The **CH-EP** and **CHPPC5SM** include a tray that holds an optional first aid kit and feature slanted shelves.

The **CHPPC4S** includes four PPCS cases and each shelf has a retaining lip to keep cases in place.

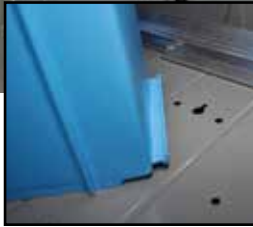


CHPPC4S
14.5" x 11.5" x 18"

ADRIAN'S BLUE BIN SYSTEM IS PERFECT FOR VISUAL INVENTORY MANAGEMENT.



BR36212 Bin System on an AD44LCV ADseries shelf unit.



The innovative rail system locks the bins in place on the shelf.

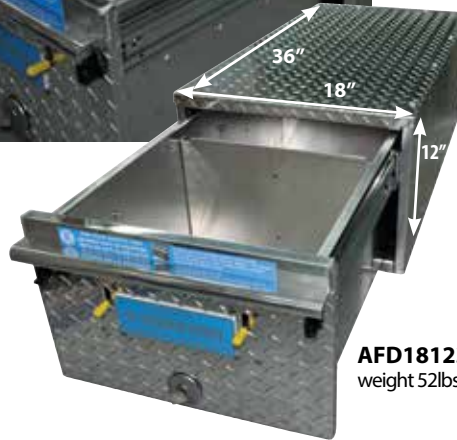
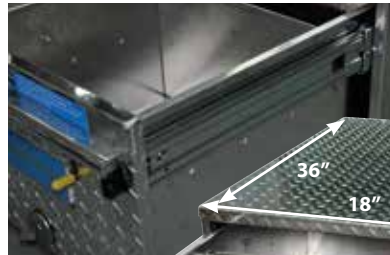
- 6" and 12" bins maximize the ADseries shelf space.
- The innovative rail system locks the bins in place on the shelf.
- The bins can nest on top of each other when at the job site or in the warehouse getting filled to go.
- Add a label to the front so you can find parts quickly
- Each bin can accommodate one optional divider.

Order our predefined bin systems or create your own configuration of bins. Please note that the bins and the rail are a system. To obtain all the features listed above, both must be ordered.

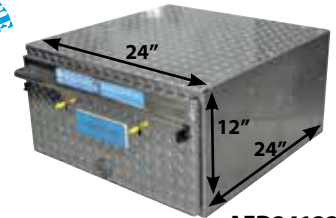
MODEL	DESCRIPTION
SBIN060614	6" Blue Bin
SBIN120614	12" Blue Bin
SBINDIV	Divider
BR36212	Bin System: 3-6" & 2-12" bins w/rail
BR76012	Bin System: 7-6" bins with rail
SRAILAD26	26" Retention rail
SRAILAD32	23" Retention rail
SRAILAD44	44" Retention rail
SRAILAD50	50" Retention rail

ALUMINUM FLOOR DRAWERS

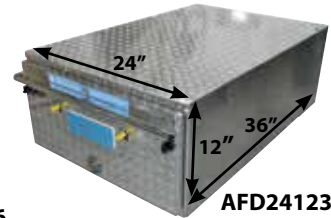
- Adrian Steel exclusive Anti-Slam latch keeps drawer from closing without positive latch activation. The only aluminum drawer in the industry with this feature!
- An automotive grade lock keeps expensive cargo secure and the adjustable divider helps keep contents segmented.
- The integral latch keeps the drawer open when you are on an incline and closed when you're done!
- Heavy duty grab handles and ball bearing slides allow the drawer to open and close with ease.
- Can be stacked to utilize large cubic storage areas.
- 24" deep units have a weight capacity of 350 lbs. and the 36" deep have a 325 lb. weight capacity.



AFD181236
weight 52lbs.



AFD241224
weight 46lbs.



AFD241236
weight 60lbs.

REFRIGERANT TANK HOLDER

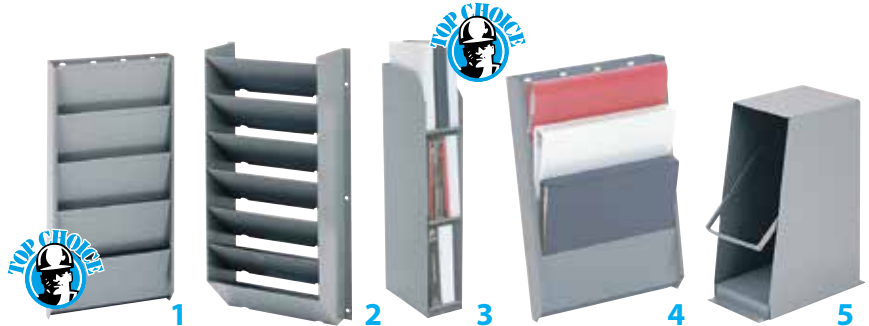


Freon Tank Holder TH51FP

Accommodates a combination of any three 30 or 50 lb tanks.

Straps secure tanks for safe transportation.

Fits NV Cargo



1: CB5 Five Slot Literature Holder Mount on partition or other vertical surface. 2-1/2" deep pockets. Overall size: 12"W, 24"H, 2-1/2"D.

2: CB7 Seven Slot Literature Holder Mount on partition or other vertical surface. 6-3/4" deep pockets. Overall size: 14-3/4"W, 28-7/8"H, 7"D.

3: 43 Three Shelf Catalog File Fits in narrow spaces. It has three tilted shelves. Perfect for binders and catalogs. Overall size: 6" W, 34" H, 12" D.

4: BH4 Four Slot Binder Holder Designed to mount on partition or almost any vertical surface. Excellent for binders. Each pocket is 2 1/2" deep. Overall size: 12-3/4" W, 19-1/2" H, 2-1/2" D.

5: CB2 Two Book File Mounts on the floor between front seats and partition. Holds folders 12"H x 10-1/2"D. Overall size: 6"W, 14"H, 12"D.



1



2



3



4



5



6



Storage for small parts 7



8



9

1: DST21 Door Storage Tray offers convenient access to parts and tools.
Overall size: 20" W, 4" D, 8" H

2: Aerosol Can Tray secure cans for easy access.

ACT3 - 3 Can Tray Overall size: 11-3/4" W, 4" D, 6-3/4" H

ACT4 - 4 Can Tray Overall size: 15-7/16" W, 4" D, 6-3/4" H

3: 14 Step Stool has a wide base and is 12" high. Stool can be used with a workbench or as an auxiliary step. Top measures 10" x 20" One size.

4: TA2 Hard Hat Holder secures hat to partition or shelving.

5: VMA36 Vise Mount Assembly is floor mounted and telescopes out beyond side or rear cargo doors when fully opened. Measures 36" closed and 60" open.

6: Touch-Up Paint in spray cans match Steel-Cote™ finish. Three colors:

STP12G - Gray **STP12W** - White **STP12B** - Black

7: Door Tray comes with two dividers and has optional lid for containment.

DT21 - Door Tray Overall size: 18" W, 4" D, 4" H

DTL21 - Door Tray Lid for DT21 only

DTWL21 - Door Tray with Lid Overall size: 20" W, 4" D, 4" H

8: Hooks organize a variety of cargo in easy-to-access locations.

UH10 - 1" hook

UH25 - 2.5" hook

UH50 - 5" hook

TA1 - Four hook bar

9: Parts Tray features a 2" deep shelf lip. Can be mounted to cabinet and drawer modules for added top storage.

4A - Parts Tray Overall size: 36" W, 12" D, 2" H

4B - Parts Tray Overall size: 18" W, 12" D, 2" H

REEL HOLDERS



1



2



3



4

1: CRH2 Cable Reel Holder features a durable frame, two steel shafts that holds up to a 15-1/2" diameter reel by 14" wide. Overall size: 19-1/8" W, 16" D, 44-7/8" H

2: KDRH2 Cable Reel Holder holds large spools up to 16" wide and 18" in diameter. Spools nest on conveyor rollers. Includes tie-down chains with neoprene covers. Overall size: 18" W, 46" H, 18" D

3: WRH5 Wire Reel Holder Five removable bars hold wire spools up to 6" in diameter. Reel Holder mounts to shelf ends or any vertical surface. Overall size: 12" W, 25" H, 4" D

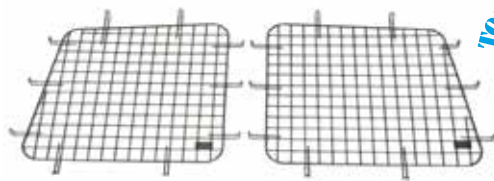
4: End Panel Reel Holder Bar mounts between **ADseries** shelf end panels for easy access to spools of cable and wire.

KDRH1426 - fits 26" shelf

KDRH1432 - fits 32" shelf

KDRH1444 - fits 44" shelf

KDRH1450 - fits 50" shelf



Wire Window Screens add security to cargo area windows.

60-NRD Nissan NV Cargo Rear Door Kit

60-NSDRD Nissan NV Cargo Side & Rear Door Kit

60-NV2 Nissan NV200 Rear Door Kit

60-120 Nissan NV200 Streetside Rear Door

60-121 Nissan NV200 Curbside Rear Door

60-150 Nissan NV200 Streetside Sliding Door

60-151 Nissan NV200 Curbside Sliding Door

LOADSRITE FEATURES & BENEFITS

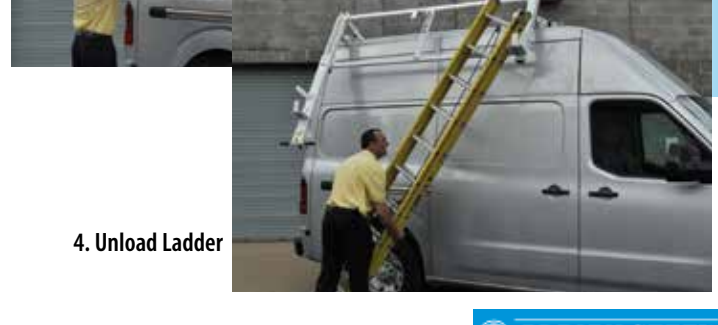
- Designed to allow ladders to be loaded and unloaded one end at a time.
- Ladder clamps securely hold the ladder for transportation.
- Ladders can be padlocked for added security.
- Clamping of ladder is automatic.
- Aluminum bed frame, cast aluminum grab handle, stainless steel latch and fasteners.
- Rollers and dampers create a smooth transition to the stowed and down positions.
- The easy-reach release handle lowers toward the ground for better access (high roof.)
- Two handed operation is required to release the ladder for safer loading and unloading.
- Plastisol clamps and plastic pads protect fiberglass ladders.
- The LoadsRite for the Nissan NV Cargo can carry 16' - 36' extension ladders

- LCVLR-S61 Single LoadsRite (curbside) -std. roof
- LCVLR-S63 Double LoadsRite -std. roof
- LCVLRH61CS Single LoadsRite (curbside) -high roof
- LCVLRH61SS Single LoadsRite (streetside) -high roof
- LCVLR-H63 Double LoadsRite -high roof

NV CARGO STANDARD ROOF



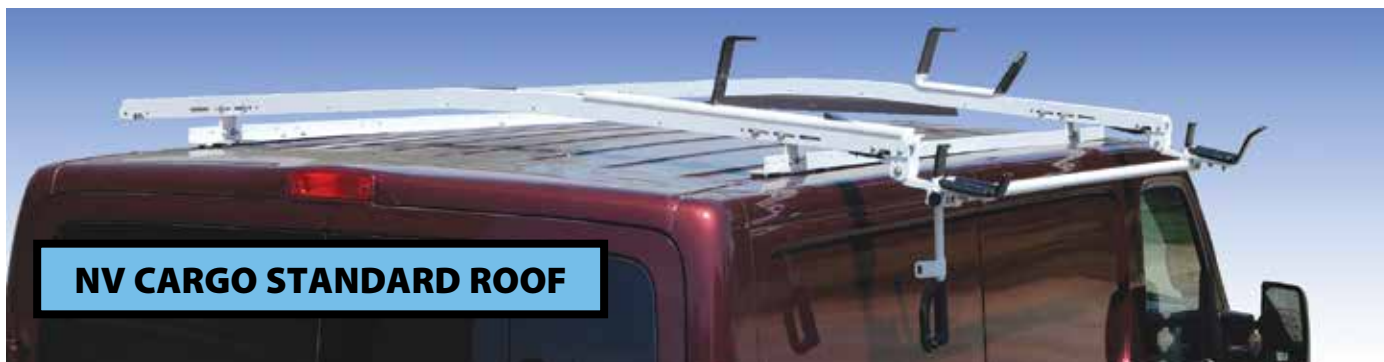
NV CARGO HIGH ROOF



4. Unload Ladder

EZ LOAD DESIGNED FOR BETTER ERGONOMICS!

Designed with the average height person in mind, the EZ Load Ladder Rack is the most functional, easy to use grip lock style ladder rack on the market.



EZ to Operate

Loading ladders just got easier! The **EZ Load** rack's patent pending design brings the rack down 6" towards you, much closer than any comparable grip lock rack on the market. No bungee cords needed. Four brackets secure the ladder tightly in place during transportation.

EZ to Adjust

The **EZ Load** ladder rack has one common fastener, all you need to adjust for your ladders is a 1/2" socket. The **EZ Load** accommodates 32' extension ladders and 10'-12' step ladders. Shorter ladders can be accommodated with the optional step ladder kit.

EZ to Maintain

Corrosion Free! The all-aluminum design with stainless steel fasteners allow the **EZ Load** to look great for years to come! Ladders stowed on the **EZ Load** Ladder Rack are protected with composite plastic that keep fiberglass ladders from rubbing on the metal of the ladder rack.

EZ to Work Safely

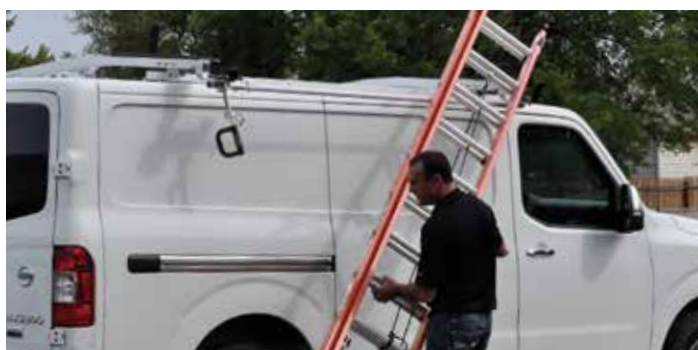
The **EZ Load** Ladder Rack makes it easier to load and unload your ladder, thus making the process much safer. You will be less likely to hurt, pull, or strain something. Designed with improved ergonomics and your safety in mind.



Pull to release the handle, swing out and down to lower ladder.



Lift ladder off the rear bracket.



Lower ladder to the ground, resting the top of the ladder on the front bracket.

Model	Description
61-EZLCVC	EZ Load Single Curbside
61-EZLCVS	EZ Load Single Streetside
63-EZLCV	EZ Load Double
LR64EZCLCV	LoadsRite Combo (curb drop-down)
68-EZLCV	Step Ladder Kit
64-EZLCV	Combo w/ Step Ladder Kit
65-EZ	Utility Rack Add-on Kit
LR6200WSF	LoadsRite Add-on Kit (streetside)*
LR6200WCF	LoadsRite Add-on Kit (curbside)*
70-1EZ	4" PVC Conduit Slot
70-2EZ	6" PVC Conduit Slot
80-1EZ	10' Aluminum Conduit Carrier
80-2EZ	12' Aluminum Conduit Carrier

*Order with BAGLR64EZ



INTERIOR LADDER RACKS

OUT OF THE WAY, BUT NEVER OUT OF REACH.

When you transport your ladders within the cargo area of your van, you reduce the wear and tear on the ladder, and on yourself with easy to access and operate ladder storage solutions.



ILR

INTERIOR LADDER RACK

- The Interior Ladder Rack does not take up, limit, or reduce vertical standing room in your van and it allows quick and easy access to your ladder from outside of your vehicle.
- Eliminate the outside wear and tear on your ladder; protect your ladder from the elements, theft, and road grime.
- Customers will appreciate your use of clean, well taken care of equipment rather than bringing the outside mess into their home.
- Perfect for carrying 4ft and 6ft step ladders. **Works best in medium and high roof vans** and features plastic coated clamps to protect the ladder rungs during transit.



LADDER KEEPER

- Designed to be loaded from outside the vehicle, the Ladder Keeper features a spring-loaded clamp that holds the ladder securely in place.
- Just set the top of the ladder in the front clamp bracket and push it forward until the bottom of the ladder sits in the rear clamp bracket. it allows quick and easy access to your ladder from outside of your vehicle.
- **LKLCV** fits Nissan NV Cargo and can carry up to a 6 ft. ladder.

MAXIMIZE YOUR CARGO CAPACITY WITH AN ALUMINUM UTILITY RACK.



UTILITY RACK FEATURES & BENEFITS

- This all aluminum rack is designed to reduce corrosion by eliminating much of the welding.
- The uprights are fully plastisoled to protect against wear and reduce ladder fatigue.
- Uprights feature many attachment points for securing cargo straps.
- Weather resistant cross bar is not cut to fit or perforated in any way improving longevity of the rack.
- The Rear Roller Bar eases the loading and unloading of the rack.
- The Rear Roller Bar is not compatible with the high roof NV Cargo.
- Available in our durable black or white powder coat paint.
- Optional center bars support shorter lengths and provide additional support.
- The Nissan NV Cargo can accommodate 2-5 cross bars.

MODEL	DESCRIPTION	COLOR
3BARRNV-B	3 Bar Utility Rack w/Roller	Black
3BARRNV-W	3 Bar Utility Rack w/Roller	White
2BARRNV-B	2 Bar Utility Rack w/Roller	Black
2BARRNV-W	2 Bar Utility Rack w/Roller	White
<hr/>		
3BNLCV-B	3 Bar Utility Rack	Black
3BNLCV-W	3 Bar Utility Rack	White
2BNLCV-B	2 Bar Utility Rack	Black
2BNLCV-W	2 Bar Utility Rack	White
<hr/>		
1BNLCV-B	1 Crossbar	Black
1BNLCV-W	1 Crossbar	White
RRBLCV-B	Rear Roller Kit*	Black
RRBLCV-W	Rear Roller Kit*	White
*Fits standard roof NV Cargo only.		
<hr/>		
80-1	Aluminum Conduit Carrier 10' 6"	
80-2	Aluminum Conduit Carrier 12' 6"	



ALUMINUM CONDUIT CARRIER

The two piece design features a lift-up door with a spring assist for easy access and lockable swivel closure. Constructed with .063" diamond tread aluminum with a bolt-on plate at the front to allow access to the front end of the carrier.

GRIP YOUR LADDERS SECURELY A GRIP-LOCK LADDER RACK.

Adrian's Grip-Lock racks feature a lockable, gripping mechanism that firmly secures one or two ladders to the top of the van. Racks easily adjust for ladders of different sizes. The all aluminum design provides years of service.



GRIP-LOCK FEATURES AND BENEFITS

- Heavy-Duty actuating arm firmly grips ladder rungs to prevent shifting of ladder on rack.
- Gripping mechanism is lockable.
- Composite extrusions on front and rear crossbows and uprights protect ladders.
- Rung grips easily adjust to accommodate different types of ladders.
- All aluminum design with neutral finish—for quality and longevity.
- There are no straps to deal with, clamping of ladder is automatic.
- Mounts to pre-existing mounting points in roof. No drilling required.

61-NV2 - Single Grip-Lock rack

63-NV2 - Double Grip-Lock rack

ALUMINUM UTILITY RACK FOR NV200 COMPACT CARGO

The most flexible rack in the market, the 2BNV2 features an all aluminum design that allows you to maximize the roof of the NV200 Compact Cargo. No drill installation and an innovative rail system allows the user to easily reposition the crossbows where they are needed.

2BNV2 - Aluminum Utility Rack for NV200 Compact Cargo



MODEL	PAGE	DESCRIPTION
ACT3	28	Aerosol Can Tray
ACT4	28	Aerosol Can Tray
AD26LCV	23	26" ADseries-NV Cargo
AD28NV2	13,23	28" ADseries-NV200
AD32FP	10,23	32" ADseries-NV200
AD32LCV	23	32" ADseries-NV Cargo
AD44LCV	23	44" ADseries-NV Cargo
AD50LCV	23	50" ADseries-NV Cargo
AFD181236	27	Aluminum Floor Drawer
AFD241224	27	Aluminum Floor Drawer
AFD241236	27	Aluminum Floor Drawer
BH4	27	Binder Holder
BR36212	27	Bin System
BR76012	27	Bin System
BRK14EPS	23	End Panel Bracket
CB2	27	Two Book File
CB5	27	Literature Holder
CB7	27	Literature Holder
CH-1514DBL	26	Case Holder, Double
CH-1514SGL	26	Case Holder, Single
CH-EP	26	PPC Holder
CHPPC4S	26	PPC Holder
CHPPC5SM	26	PPC Holder
CL1446D	24	Cabinet Locker
CL1446R	24	Cabinet Locker
CRH2	23	Cable Reel Holder
DC6	25	Drawer Component
DC12	25	Drawer Component
DK3008	23	8" Door Kit/AD32LCV
DK3010	23	10" Door Kit/AD32LCV
DK4208	9,23	8" Door Kit/AD44LCV
DK4210	23	10" Door Kit/AD44LCV
DK4808	23	8" Door Kit/AD50LCV
DK4810	23	10" Door Kit/AD50LCV
DS06112V	25	Drawer System
DS36012H	25	Drawer System
DS46012	25	Drawer System
DST21	28	Door Storage Tray
DT21	28	Door Tray
DTL21	28	Door Tray Lid
DTWL21	28	Door Tray w/Lid
DV14C1	23	Divider, Single
DV14C8	23	Divider, 8 Pack
HD-28NV2	13	HD Shelf-NV200
HD-32NV2	11	HD Shelf-NV200
HD32NVH	22	32" Adjustable Shelf Unit
HD42NVH	22	42" Adjustable Shelf Unit
HD52NVH	22	52" Adjustable Shelf Unit
ILR	31	Interior Ladder Rack
KDRH1426	28	End Panel Reel Holder
KDRH1432	28	End Panel Reel Holder
KDRH1444	28	End Panel Reel Holder
KDRH1450	28	End Panel Reel Holder
KDRH2	28	Reel Holder
LCVLR-H63	30	Double LoadsRite - NV high roof
LCVLR-S61	30	Single LoadsRite - NV std roof

MODEL	PAGE	DESCRIPTION
LCVLR-S63	30	Double LoadsRite - NV std roof
LCVLRH61CS	30	LoadsRite - curbside
LCVLRH61SS	30	LoadsRite - streetside
LKLCV	31	Ladder Keeper - NV Cargo
LR6200WCF	30	LoadsRite Kit Curb/EZ Load
LR6200WSF	30	LoadsRite Kit Street/EZ Load
LR64EZCLCV	30	LoadsRite-EZLoad Combo
M1FLP	20	Long Parts Storage, M1
M2FLP	20	Long Parts Storage, M2
P2NV2FW	10,21	Wire Partition-NV200
P2NV2S	10,21	Steel Partition-NV200
PDK1	9	Partition Door Kit
PPCS	26	Portable Parts Case Small
PPCL	26	Portable Parts Case Large
RK67NV2-CS	13,23	Rail Kit-NV200
RK67NV2-SS	13,23	Rail Kit-NV200
RKA1	23	Rail Kit Adapter
RKA3	23	Rail Kit Adapter
RKA4	23	Rail Kit Adapter
RKA919	23	Rail Kit Adapter
RKABRK1	23	Rail Kit Adapter
RKABRK2	23	Rail Kit Adapter
RKANV	23	Rail Kit Adapter
RKLCV	23	Rail System NV Cargo
RKNV2-CS	12,23	Rail Kit-NV200
RKNV2-SS	10,23	Rail Kit-NV200
RRBLCV-B	32	Rear Roller Bar Kit-Black
RRBLCV-W	32	Rear Roller Bar Kit-White
S1M1C1FLP	20	Partition w/ Long Part Storage
S1M1C1FSV	20	Partition FSV
S1M1HC1FSV	20	Partition FSV
S1M2C1FLP	20	Partition w/ Long Part Storage
S1M2C1FSV	20	Partition FSV
S1M2HC1FSV	20	Partition FSV
S1M2C2FLP	20	Partition w/ Long Part Storage
S1M2C2FSV	20	Partition FSV
S1M2HC2FSV	20	Partition FSV
S2M2C2FSV	20	Partition FSV
S2M2HC2FSV	20	Partition FSV
SBIN060614	27	6" Plastic Bin
SBIN120614	27	12" Plastic Bin
SBINDIV	27	Plastic Bin Divider
SPT-4	25	SP Tote/Combo
SPT-4P	25	SP Tote/Poly
SPT-4S	25	SP Tote/Steel
SPT-5	25	SPT Steel Tray
SPT-P	25	SPT Poly Tote
SRAILAD26	27	Bin Retention Rail 26"
SRAILAD32	27	Bin Retention Rail 32"
SRAILAD44	27	Bin Retention Rail 44"
SRAILAD50	27	Bin Retention Rail 50"
STP12G	28	Paint, Gray
STP12W	28	Paint, White
STP12B	28	Paint, Black
TA1	28	Hook Bar
TA2	28	Hard Hat Holder

MODEL	PAGE	DESCRIPTION
TA18	24	Propane Tank Cab.
TA19	24	CO2 Tank Cabinet
TA20	24	Mapp Gas Cabinet
TH51FP	27	Freon Tank Holder-NV Cargo
UH10	28	Utility Hook
UH25	28	Utility Hook
UH50	28	Utility Hook
VMA36	28	Vice Mount Assembly
WKC1LCVH	20	Wing Kit - NV High Roof
WKC1LCVH3	9,20	Wing Kit - NV High Roof
WKC1LCVS	9,20	Wing Kit - NV Std Roof
WKC1LCVS3	9,20	Wing Kit - NV Std Roof
WRH5	28	Wire Reel Holder
1	24	Cabinet
1A	24	Shelf
1BNLCV-B	32	Crossbar/Black
1BNLCV-W	32	Crossbar/White
2	25	Drawer Unit
2BARRNV-B	32	2 Bar Utility Rack w/roller
2BARRNV-W	32	2 Bar Utility Rack w/roller
2BNLCV-B	32	2 Bar Utility Rack
2BNLCV-W	32	2 Bar Utility Rack
2BNV2	11,33	2 Bar Utility Rack-NV200
3BARRNV-B	32	3 Bar Utility Rack w/roller
3BARRNV-W	32	3 Bar Utility Rack w/roller
3BNLCV-B	32	3 Bar Utility Rack
3BNLCV-W	32	3 Bar Utility Rack
4A	27	Parts Tray
4B	27	Parts Tray
8	25	Drawer Unit
9	25	Drawer Unit
12	24	Cabinet
12A	24	End Panel
14	28	Step Stool
19	25	Drawer Unit
25	25	Divider/#2
26	25	Divider/#8
27	25	Divider/#19
43	27	Catalog File
60-120	28	Window Screen-NV200
60-121	28	Window Screen-NV200
60-150	28	Window Screen-NV200
60-151	28	Window Screen-NV200
60-NRD	9,28	Window Screen-NV Cargo
60-NSDRD	28	Window Screen-NV Cargo
60-NV2	28	Window Screen-NV200
61-EZLCVC	30	EZ Load Single Curbside
61-EZLCVS	30	EZ Load Single Streetside
61-NV2	33	Grip-Lock Single-NV200
63-EZLCV	30	EZ Load Double
63-NV2	13,33	Grip-Lock Double-NV200
64-EZLCV	30	Combo Step Ladder Kit/EZ Load
65-EZ	30	Utility Rack Kit/EZ Load
68-EZLCV	30	Step Ladder Kit/EZ Load
70-1EZ	30	4" PVC Conduit Kit
70-2EZ	30	6" PVC Conduit Kit

MODEL	PAGE	DESCRIPTION
80-1	9,32	10' Aluminum Conduit Carrier
80-1EZ	30	10' Aluminum Conduit Carrier
80-2	32	12' Aluminum Conduit Carrier
80-2EZ	30	12' Aluminum Conduit Carrier
919	25	Drawer Unit
2255NH	8	Locksmith Pkg - High Roof
2255NS	8	Locksmith Pkg - Std Roof
4484	4	Cargo Mgmt Pkg - Std Roof
4485	4	Utility Package - Std Roof
4519	5	Cargo Mgmt Pkg - High Roof
4520	5	Utility Package - High Roof
4686NH	6	Gen Svc Pkg - NV High Roof
4686NS	6	Gen Svc Pkg - NV Std Roof
4687NH	6	Elect Pkg - NV High Roof
4687NS	6	Elect Pkg - NV Std Roof
4688NH	7	Security Pkg - NV High Roof
4688NS	7	Security Pkg - NV Std Roof
4689NH	7	Cable Pkg - NV High Roof
4689NS	7	Cable Pkg - NV Std Roof
4690NH	8	HVAC Pkg - NV High Roof
4690NS	8	HVAC Pkg - NV Std Roof
4957	4	EZ Load Utility Pkg - Std Roof
4959	10	Comp Pkg #1 - NV200
4960	10	Comp Pkg #2 - NV200
4961	11	Comp Pkg #3 - NV200
4962	11	Comp Pkg #4 - NV200
4963	11	Utility Rack Pkg - NV200
4964	12	Upgrade Pkg #1 - NV200
4965	12	Upgrade Pkg #2 - NV200
4966	13	Upgrade Pkg #3 - NV200
4967	13	Upgrade Pkg #4 - NV200
4968	13	Grip-Lock Pkg - NV200
5074NH	14	Cargo Mgt. Pkg. 60" NV
5075NH	14	General Service Pkg. 60" NV
5076NH	14	Electrical Pkg. 60" NV
5077NH	15	Security Pkg. 60" NV
5079NH	15	HVAC Pkg. 60" NV
5080	19	Plumbing Pkg - NV200
5081	18	Telecom Pkg. - NV200
5082	18	Comm Shelving Pkg. - NV200
5083	19	Electrical Pkg. - NV200
5084	18	Gen. Service Pkg. - NV200
5096	17	Plumbing Pkg. 14" NV200
5097	16	Telecom Pkg. 14" NV200
5098	16	Comm. Shelf Pkg. 14" NV200
5099	17	Electrical Pkg. 14" NV200
5100	16	Gen. Service Pkg. 14" NV200
35325-G	19	32" ADseries Add-on Shelf
35327-G	19	44" ADseries Add-on Shelf
35328-G	19	50" ADseries Add-on Shelf

ADRIAN STEEL COMPANY



QUALITY

- Our products are durable and reliable. Warranty claims are less than 1% of sales.
- Our warranty covers our products for three years or 36,000 miles.

INNOVATIVE PRODUCTS WITH FEATURES THAT MATTER

- Drawers that stay closed while in transit.
- ADseries truly adjustable shelving platform.
- LoadsRite drop-down ladder racks that load and unload the safe and right way.
- Interior ladder storage.
- Plug and Play accessories.
- File storage, removable small parts bins, and much more!

COMMITMENT

At Adrian Steel, we are committed to you beyond the upfit!

- A dedicated Customer Care Team at corporate headquarters.
- A network of highly qualified distributors to support you locally.
- Our commitment to provide the best cargo management solutions in North America.

EXPERIENCE

- **Over One Million vans upfitted**, and counting! It's a fact that an organized vehicle increases work flow efficiencies and reduces inventory damages.
- Recognized as a National Truck Equipment Association MVP.



SERVICE

- Adrian Steel Products can be purchased throughout North America at authorized Adrian Steel distributors.
- Adrian Steel Customer Service Representatives are available M-F, 8am - 5pm EST at **1-800-677-2726**.
- E-mail us at info@adriansteel.com with questions, comments and feedback.
- Visit AdrianSteel.com for the most up-to-date product information, distributor locator, product catalogs, videos and more.

PROUDLY DISTRIBUTED BY:



906 James Street
Adrian, Michigan 49221-3996
517-265-6194 Fax: 517-265-5834
Toll Free **800-677-2726**
adriansteel.com info@adriansteel.com