

# SPRINTER & METRIS CARGO VAN EQUIPMENT



# ADRIAN STEEL®

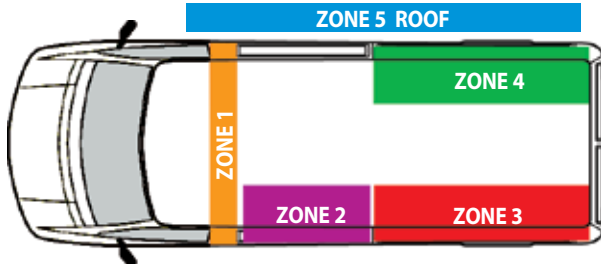
Cargo Management Solutions for Commercial Vehicles



**YOU HAVE COME TO THE RIGHT PLACE FOR ORGANIZING YOUR SPRINTER CARGO VAN.**

Adrian Steel has all the storage products you will need, and the tools to put them all together to best utilize the space in your Sprinter. This catalog is set up to walk you through the product categories as you would add them into your vehicle. Follow these simple steps to create an interior that fits your needs:

**MAKE YOUR VEHICLE WORK READY!**



**ZONE 1 PARTITION**

- Choose partition style: solid, perforated, or with a hinged door.
- Determine Sprinter roof height.
- Add accessories on both cab and cargo side.
- I need:

**ZONES 2, 3, 4 CURBSIDE & STREETSIDE**

- Use layout diagrams to determine the amount of space available.
- Choose from a variety of shelving units and modules that will best organize the tools and equipment you need to carry.
- I need:

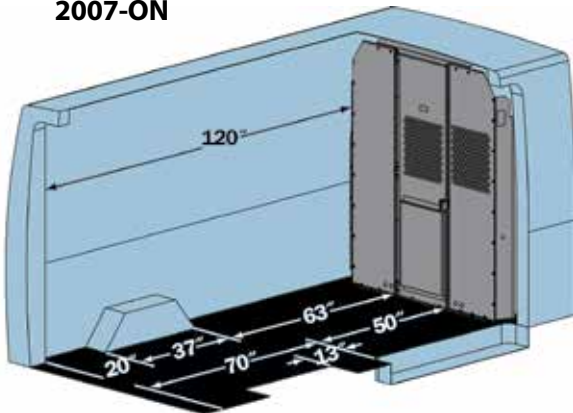
**ADDITIONAL STORAGE**

- Determine the space needed for specialty equipment: tank racks, lockers, reel holders, Stow-All floor drawers and more.
- Add accessories including door kits, drawers, hooks and more.
- I need:

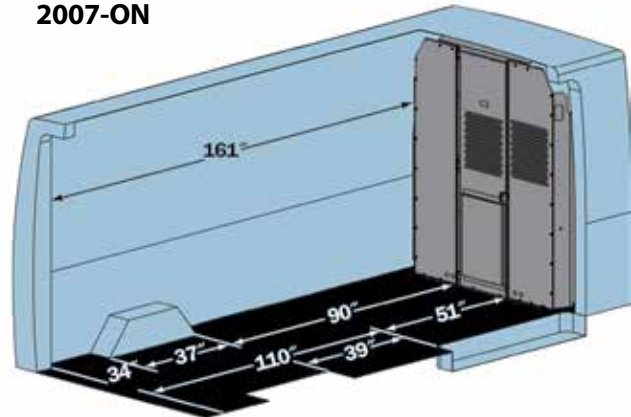
**ZONE 5 ROOF**

- Determine what will be carried: ladders, sheet goods, conduit, etc.
- Choose the LoadsRite for specifically carrying ladders or a Cargo Rack to carry a variety of cargo.
- Add rack accessories including step ladder kits, ratchet straps, conduit carriers and more.
- I need:

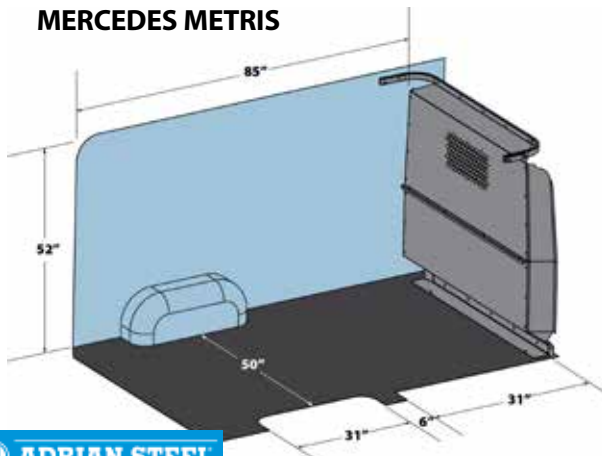
**144" WHEELBASE SPRINTER INTERIOR 2007-ON**



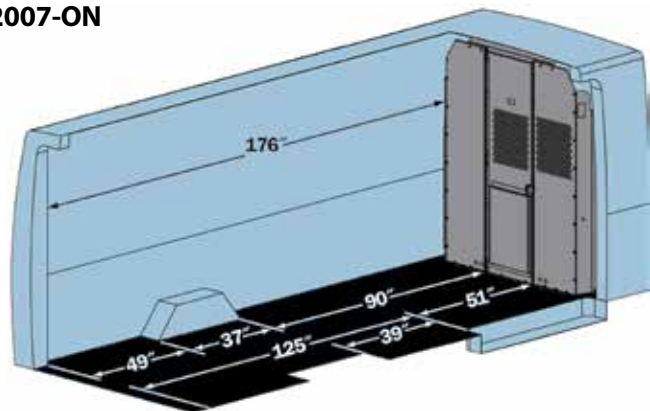
**170" WHEELBASE SPRINTER INTERIOR 2007-ON**



**MERCEDES METRIS**



**170" EXTENDED WHEELBASE SPRINTER INTERIOR 2007-ON**



**PROTECTION FOR CARGO. PROTECTION FROM CARGO.** Adrian partitions provide security from shifting loads. Choose a perforated partition for visibility or solid for better climate control. Solid and hinged door partitions are available.

**Features & Benefits**

- Built of strong, 16-gauge steel.
- Formed channels for extra strength.
- Steel-Cote™ diamond-hard finish resists scratches and dents.
- Perforated partition panels are strong and quiet.
- Includes all assembly and installation fasteners for base van trim level.  
Higher trim levels may require modifying trim or partition.
- Partition features lower access holes for electrical wiring.



**PDK2**  
**Quiet Partition Door Kit** converts fixed center panel partition into a hinged door with keyed handle.



**Metris Steel Partition**  
P2MMS 63" W x 13" D x 53" H Partition installs to factory attachments, no drilling or setting plusnuts required!

**Need some help?**  
**Contact your local distributor!**  
They can provide a wealth of information about utilizing the cargo space in your work van. Find your local distributor online at [adriansteel.com](http://adriansteel.com).

**2007 AND NEWER SPRINTER VAN PARTITION PANEL STYLES**

Please state Sprinter model, year and wheelbase when ordering. Vehicles must have OEM option D62 Pre-installation for bulkhead.

| Model                       | Roof Type | Streetside |            | Center |        |            |        | Curbside |            |
|-----------------------------|-----------|------------|------------|--------|--------|------------|--------|----------|------------|
|                             |           | Solid      | Perforated | Solid  | Hinged | Perforated | Hinged | Solid    | Perforated |
| S1M1C1SPS                   | standard  | ■          |            | ■      |        |            |        |          | ■          |
| S1M1HC1SPS                  | standard  | ■          |            |        | ■      |            |        |          | ■          |
| S1M2C1SPS                   | standard  | ■          |            |        |        | ■          |        |          | ■          |
| S1M2HC1SPS                  | standard  | ■          |            |        |        |            | ■      |          | ■          |
| S1M2C2SPS                   | standard  | ■          |            |        |        | ■          |        |          | ■          |
| S1M2HC2SPS                  | standard  | ■          |            |        |        |            | ■      |          | ■          |
| S2M2C2SPS                   | standard  |            | ■          |        |        | ■          |        |          | ■          |
| S2M2HC2SPS                  | standard  |            | ■          |        |        |            | ■      |          | ■          |
| S1M1C1SPH                   | high      | ■          |            | ■      |        |            |        |          | ■          |
| S1M1HC1SPH                  | high      | ■          |            |        | ■      |            |        |          | ■          |
| S1M2C1SPH                   | high      | ■          |            |        |        | ■          |        |          | ■          |
| S1M2HC1SPH                  | high      | ■          |            |        |        |            | ■      |          | ■          |
| S1M2C2SPH                   | high      | ■          |            |        |        | ■          |        |          | ■          |
| S1M2HC2SPH                  | high      | ■          |            |        |        |            | ■      |          | ■          |
| S2M2C2SPH                   | high      |            | ■          |        |        | ■          |        |          | ■          |
| S2M2HC2SPH                  | high      |            | ■          |        |        |            | ■      |          | ■          |
| PA5-2 Plexiglas Cover Panel |           |            | ■          |        |        | ■          | ■      |          | ■          |
| P2MMS                       | Metris    | ■          |            |        |        | ■          |        |          | ■          |

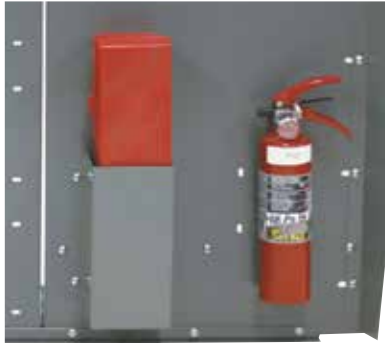
Please note: Contact Adrian Steel for 2006 and older Sprinter partitions. 170" interior installed in a Mega High roof Sprinter will require OEM partition.

All illustrations, photos and specifications in this publication are based on the latest product information available at the time of content approval.

The right is reserved to make changes at any time, without notice, in materials, specifications and models, and also to discontinue models.

**Adrian's accessories allow you to fully utilize your partition space for storage and organization.**

These accessories will make locating your equipment easier with practical item storage for required safety equipment and/or everyday materials. Take advantage of your partition space for a more efficient upfit solution!



**Vehicle Safety**

**PA7 Triangle Reflector Kit**

**PA8 1-A:10-BC Fire Extinguisher**



**PA9 First Aid Box Tray**

secures first aid box to partition or other vertical surface.

**Overall size: 11"W, 4.5"H, 3-1/8"D.**



**Tank Holders**

**TH30 Refrigerant Tank Holder 30 lb**

**TH50 Refrigerant Tank Holder 50 lb.**



**TA1 Hook Bar**

2" X 12" with 2" hanger opening. Mounts to any vertical surface



**PA10 Practice Holder**

Partition mounted holder for forms, manuals or work related papers

**Overall size: 12" W, 7" H, 5" D.**



**PA11 Cab File Box**

mounts to partition or other vertical surface.

**Overall size: 14" W, 10-1/2" H, 3-1/2" D.**



**CB2 Two Book File**

has hinged retaining straps. Mounts to floor or other horizontal surface.

**Overall size: 6" W, 14" H, 9 3/4" D.**

**BH4 Four Slot Binder Holder**

Designed to mount on partition or almost any vertical surface. Excellent for binders. Each pocket is 2 1/2" deep.

**Overall size: 12-3/4" W, 19-1/2" H, 2-1/2" D.**



**MAXIMIZE STORAGE IN YOUR SPRINTER VAN!** A great way to show your professionalism is to have an organized van. Get everything off the floor and in it's place with storage modules and accessories from Adrian Steel. Designed to accommodate a variety of items, with a combination of shelving, drawers, cabinets, files and more.

Modules come complete with installation instructions and fasteners. Some drilling is required. Installation should always be made to a body frame member or reinforcement to the body for secure attachment.



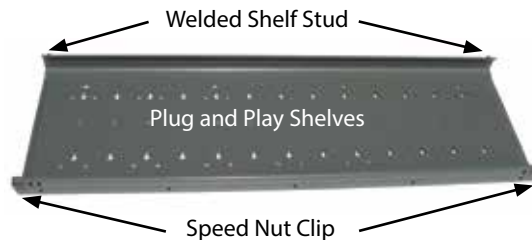
**HD-SWP Series Adjustable Shelving** Contains a 12" deep top tray with a 2" lip, one 14" deep shelf with a 2" lip, and two 14" deep shelves with a 4" lip. Contoured end panels provide flush fit to van side to maximize aisle space. Shelf gussets and a full floor rail provide extra strength. Available in three widths:  
 HD-32SWP 32" W, 56" H, 12 1/2" D  
 HD-42SWP 42" W, 56" H, 12" D  
 HD-52SWP 52" W, 56" H, 12" D



**HD-SPR Adjustable Shelving** Contains 12" deep top shelf, one 14" deep HD shelf with drop in dividers and two 14" deep Z-shelves with removable shelf rail to add BasePlus accessories like drawers or door kits. Contoured end panels provide a flush fit. Available in three widths:  
 HD32SPR 32"W, 56"H, 12/14"D  
 HD42SPR 42"W, 56"H, 12/14"D  
 HD52SPR 52"W, 56"H, 12/14"D

**THE NEXT GENERATION OF CARGO MANAGEMENT SOLUTIONS**

Tools, equipment and cargo come in all shapes and sizes and until now, there hasn't been a shelving unit that is **truly adjustable**. The ADseries is the first of it's kind where, with only a screwdriver, you can simply remove the front shelf bolts and move the shelf where you need it. Shelves can be adjusted in one inch increments and provide the most flexible shelving solution available.



| MODEL  | SIZE               | DESCRIPTION           |
|--------|--------------------|-----------------------|
| AD32FP | 32"W x 46"H x 14"D | fits low roof Transit |
| AD44FP | 44"W x 46"H x 14"D | fits low roof Transit |
| RKMM   |                    | Rail Kit              |

**TRULY ADJUSTABLE SHELVES**

All you need is a phillips head screwdriver! The unique shelf design features rear shelf studs that lock the shelves in place and speed nut clips that allow you to attach bolt on easily! Simply remove two bolts from the speed nut clips at the front lip of the shelf, tilt the shelf upwards to disengage the rear studs, move the shelf to your desired location, insert the rear shelf studs, reattach the bolts and you're done!



### MD601 Drawer/Cabinet Module

Features two large lockable cabinets both with an adjustable shelf, and one 3-drawer combo with dividers.

Measures 18" W, 56" H, 12" D.

**MD602 Drawer/Tray Module** features three lockable 3-drawer mediums and a parts tray on top with a 2" lip.

Measures 18" W, 56" H, 12" D.



**MD603 Drawer/Cabinet Module** contains one large lockable cabinet with an adjustable shelf, one 3-drawer combo with a plastic parts tray in each of the two shallow drawers. One 3-drawer medium and a parts tray with a 2" lip for added storage.

Measures 18" W, 54" H, 12" D.



### Locking Door Kits

for adjustable shelving  
SPR Shelving:

DK532SPR

32" Door Kit with back panel

DK542SPR

42" Door Kit with back panel

DK552SPR

52" Door Kit with back panel

### SWP Shelving:

DK532

32" Door Kit with back panel

DK542

42" Door Kit with back panel

DK552

52" Door Kit with back panel



**MD604 Drawer/Cabinet Module** has four large lockable cabinets with adjustable shelves, and eight shallow drawers. Cabinets feature an open side and combine to form a 36" wide compartment. Each drawer contains dividers to organize small parts.

Measures 36" W, 56" H, 12" D.



**MD605 Drawer/Cabinet Module** combines two open-sided lockable cabinets with adjustable shelves, ten medium drawers and a large 36" parts tray with a 2" lip across the top.

Measures 36" W, 54" H, 12" D.



**MD607 Heavy-Duty KD Storage Unit** features divided shelf storage, adjustable shelves, four shallow drawers with dividers in each, and two medium drawers.

Measures 42" W, 56" H, 12"/14" D.



**MD705 Workbench Module** has a Masonite covered worktop, stool, eight shallow and six medium drawers. All fourteen drawers are lockable.

Measures 42" W, 32" H, 12"/18" D.



**MD610 Workbench Module** includes a heavy-duty steel workbench with a Masonite covered worktop, stool, nine lockable medium drawers, four locking shallow drawers, a catalog file and a lockable wheel-house cover.

Measures 84" W, 32" H, 12"/18" D.



**MD609 Heavy-Duty KD Storage Unit** features two shelves with divided shelf storage and a 4" lip in addition to a lockable 52" long compartment.

Measures 52" W, 56" H, 12"/14" D.

**Drawer Units – Lock ‘n Latch System**

18"W x 12"H x 12"L steel cabinet with composite drawers. New drawer glides for better operation.

| Model | Desc. & Drawer Size (Qty.)   |
|-------|--|
| 19    | 2 Drawer Medium<br>16" W x 5" D x 11-1/2" L (2)                                    |
| 919   | 3 Drawer Combo<br>16" W x 2-1/2" D x 11-1/2" L (2)<br>16" W x 5" D x 11-1/2" L (1) |
| 9     | 4 Drawer Shallow<br>16" W x 2-1/2" D x 11-1/2" L (4)                               |



**NEW & IMPROVED!**



**Drawer Units Locking Hinge & Hasp**

#2 measures 18"W x 24"H x 18"L  
#8 measures 18"W x 18"H x 12"L

| Model | Desc. & Drawer Size (Qty.)                      |
|-------|---|
| 8     | 3 Drawer Medium<br>16" W x 5" D x 11-1/2" L (3) |
| 2     | 4 Drawer Medium<br>16" W x 5" D x 17-1/2" L (4) |
| 25    | Divider Kit for #2 Drawer (1)                   |
| 26    | Divider Kit for #8 Drawer (1)                   |

**Drawer Components**

High-impact polymer construction with drawer retention stops.

| Model | Desc. & Cabinet Size                            |
|-------|---|
| DC6   | Base 3 drawer narrow model<br>6"W x 12"H x 12"D |
| DC12  | Base 3 drawer wide model<br>12"W x 12"H x 12"D  |

Interlocking feature allows up to 2 units stacked vertically or multiple units horizontally. 5lb. weight capacity per drawer.



**Shelf Cabinets** can be used free standing or are perfect for stacking with our lockable drawer units.

| Model | Description & Cabinet Size                    |
|-------|---|
| 1     | Shelf Cabinet<br>18"W x 22"H x 18"L           |
| 12    | Shelf Cabinet Open Side<br>18"W x 22"H x 12"L |
| 1A    | Optional Shelf for No. 1                      |
| 12A   | Optional End Panel for No.12                  |

**Cabinet Lockers**

Lockers feature a 46" high storage space with removable shelves.

| Model   | Description & Cabinet Size                      |
|---------|---|
| CL1446R | Cabinet Locker Full Door<br>18"W x 46"H x 14"D  |
| CL1446D | Cabinet Locker Short Door<br>18"W x 46"H x 14"D |

**REEL HOLDERS**



**1: CRH2 Cable Reel Holder** features a durable frame, two steel shafts that holds up to a 15-1/2" diameter reel by 14" wide.

Overall size: 19-1/8" W, 16" D, 44-7/8" H

**2: KDRH2 Cable Reel Holder** holds large spools up to 16" wide and 18" in diameter. Spools nest on conveyor rollers. Includes tie-down chains with neoprene covers.

Overall size: 18" W, 46" H, 18" D



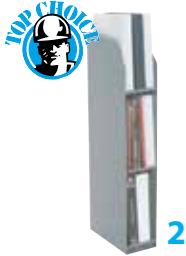
**3: WRH5 Wire Reel Holder** Five removable bars hold wire spools up to 6" in diameter. Reel Holder mounts to shelf ends or any vertical surface.

Overall size: 12" W, 25" H, 4"





**1: CB5 Five Slot Literature Holder**  
Mount on partition or other vertical surface. 2-1/2" deep pockets. 12"W, 24"H, 2-1/2"D.



**2: 43 Three Shelf Catalog File** Fits in narrow spaces. It has three tilted shelves. Perfect for binders and catalogs. 6" W, 34" H, 12" D.



**3: CB7 Seven Slot Literature Holder**  
Mount on partition or other vertical surface. 6-3/4" deep pockets. 14-3/4"W, 28-7/8"H, 7"D.

**Tank Racks** vertically carry 30-lb. and 50-lb. Refrigerant tanks. Racks feature 14-gauge tubular steel frames welded for strength with sloped cradles and nylon straps.

| Model     | Description                 |
|-----------|-----------------------------|
| WTR130250 | (1) 30 lb & (2) 50 lb tanks |
| WTR230150 | (2) 30 lb & (1) 50 lb tanks |
| WTR330    | (3) 30 lb tanks             |
| WTR350    | (3) 50 lb tanks             |
| WTR430    | (4) 30 lb tanks             |



WTR430



WTR130250



WTR230150



**PORTABLE PARTS CASES**  
Versatile, lightweight, durable, convenient and mobile - these **Portable Parts Cases** are perfect for the tech who needs to carry small parts and inventory to the jobsite.

The impact resistant body can be organized with the included adjustable dividers. The see-through lids with snap latches make identifying contents easy.

**PPCS** 14" x 14" x 3.75"  
**PPCL** 14" x 14" x 6.25"



**CHPPC5SM**  
19.5" x 14" x 35"

**Case Holder** options give you the ability to house multiple Portable Parts Cases near the vehicle door for easy access to grab-and-go. **CHPPC5SM** include a tray that holds an optional first aid kit and feature slanted shelves.



**LKB1 Aluminum Lock Box**  
20" W, 14.5" H, 25" D

**Aluminum Lock Box**

- Stores valuable tools and paperwork.
- Gas shock opens and closes the large lid.
- The large lock will accommodate a padlock or hockey puck style lock (not included.)
- Designed to mount on the van floor facing out the side or rear doors.
- Aluminum construction with powder coat black paint.

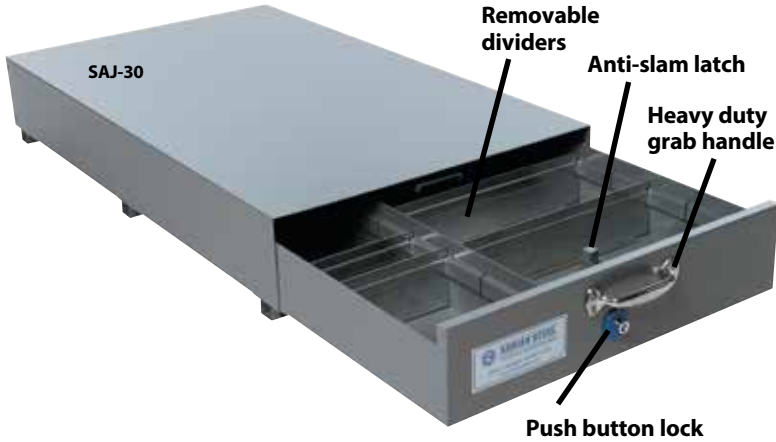


**Wire Window Screens** add security to cargo area windows. Screens are available for street and curbside sliding doors and rear doors.

- 60-75 SPR Curbside Sliding Door
- 60-76 SPR Streetside Sliding Door
- 60-77 SPR Curbside Rear Hinged Door
- 60-78 SPR Streetside Rear Hinged Door



**ADRIAN'S STOW-ALL IS THE FINEST FLOOR STORAGE UNIT YOU CAN BUY.**



- 14 Gauge steel outer cabinets are constructed with top channel cross support members for strength and rigidity.
- Drawers are constructed with double side-walls to prevent bowing and to accommodate items up to 48" in length.
- The anti-slam latch stops drawers from completely closing without positive latch activation.
- Heavy-duty grab handle and push button lock allows for comfortable, one-handed drawer operation.
- Durable powder coat finish will provide years of rugged service.
- Easy glide drawers with full width recessed conveyor roller at front and hardened steel roller bearings at rear.
- Install at rear or side doors, and units can be stacked.



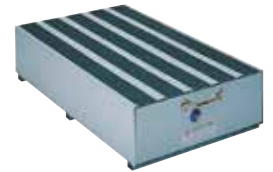
SA-10



SA-20



SA-40



**STOW-ALL DEEP SERIES**

| Model | Description      | Cabinet Size           | Drawer Size                      | Traction Kit | Divider (Qty.) |
|-------|------------------|------------------------|----------------------------------|--------------|----------------|
| SA-10 | Single Wide Deep | 10"W x 12"H x 51-1/2"D | 9-5/8"W x 8-1/2"H x 48-1/2"D     | TK10         | DV9(5)         |
| SA-20 | Double Wide Deep | 20"W x 12"H x 51-1/2"D | 19-5/8"W x 8-1/2"H x 48-1/2"D    | TK20         | DV19(5)        |
| SA-40 | Full Wide Deep   | 40"W x 12"H x 51-1/2"D | 9-5/8"W x 8-1/2"H x 48-1/2"D (2) | TK40         | DV9(10)        |
|       |                  |                        | 19-5/8"W x 8-1/2"H x 48-1/2"D    |              | DV19(5)        |

**Traction Kits** are available to provide a positive friction surface for better footing. Traction Kits are 4" wide, self-adhesive strips.

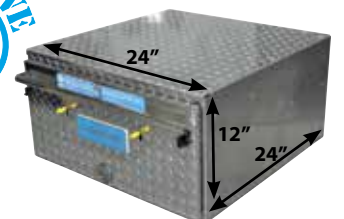
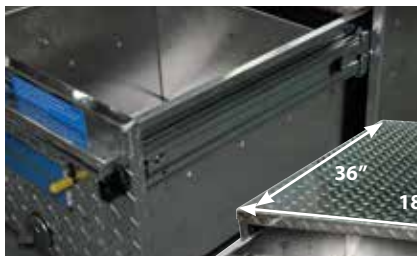
**STOW-ALL SHALLOW SERIES** Stow-All quality in a lower profile

| Model  | Description         | Cabinet Size              | Drawer Size                      | Traction Kit | Divider (Qty.) |
|--------|---------------------|---------------------------|----------------------------------|--------------|----------------|
| SAJ-10 | Single Wide Shallow | 10"W x 8-1/2"H x 51-1/2"D | 9-5/8"W x 5-1/4"H x 48-1/2"D     | TK10         | DVJ9(5)        |
| SAJ-20 | Double Wide Shallow | 20"W x 8-1/2"H x 51-1/2"D | 19-5/8"W x 5-1/4"H x 48-1/2"D    | TK20         | DVJ19(5)       |
| SAJ-30 | Triple Wide Shallow | 30"W x 8-1/2"H x 51-1/2"D | 9-5/8"W x 5-1/4"H x 48-1/2"D     | TK30         | DVJ9(5)        |
|        |                     |                           | 19-5/8"W x 5-1/4"H x 48-1/2"D    |              | DVJ19(5)       |
| SAJ-40 | Full Wide Shallow   | 40"W x 8-1/2"H x 51-1/2"D | 9-5/8"W x 5-1/4"H x 48-1/2"D (2) | TK40         | DVJ9(10)       |
|        |                     |                           | 19-5/8"W x 5-1/4"H x 48-1/2"D    |              | DVJ19(5)       |

**Additional Dividers** are available and are sold individually.

**ALUMINUM FLOOR DRAWERS ARE LOADED WITH FEATURES!**

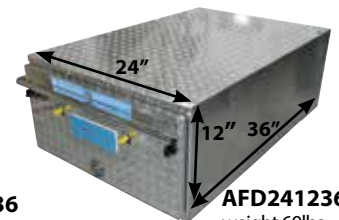
- Adrian Steel exclusive Anti-Slam latch keeps drawer from closing without positive latch activation. The only aluminum drawer in the industry with this feature!
- An automotive grade lock keeps expensive cargo secure and the adjustable divider helps keep contents segmented.
- The integral latch keep the drawer open when you are on an incline and closed when your done!
- Heavy duty grab handles and ball bearing slides allow the drawer to open and close with ease.
- Can be stacked to utilize large cubic storage areas.
- 24" deep units have a weight capacity of 350 lbs. and the 36" deep have a 325 lb. weight capacity.



**AFD241224**  
weight 46lbs.



**AFD181236**  
weight 52lbs.



**AFD241236**  
weight 60lbs.

**THE STORAGE SPACE ON YOUR SPRINTER'S ROOF IS NO LONGER OUT OF REACH. ACCESS IT WITH ADRIAN'S SPRINTER LOADSRITE AND CARGO RACKS.**

**SPRINTER LOADSRITE**

lowers the ladder down to you for easier loading and unloading.

- **Secure** – Ladder clamps hold ladder tight during transportation.
- **Ladder protection** – Fiberglass ladders are protected by a layer of plastic when loaded on the rack.
- **Safe** – Two hand operation required to release ladder down into load and unload position.
- **Durable** – 3rd cross support protects drive shaft, greatly reducing wear and tear.
- **Easy operation** – Rollers and dampers create a smooth transition to the stowed and down positions.
- **Back saver** – Designed to allow loading and unloading of ladders one end at a time.
- **Easy reach handle** – Release handle slides down lower than competing racks for easier reach.
- **Ladder capacity** – Accommodates 16'-32' extension ladders.



| Catalog # | Description  |
|-----------|--|
| SPRLR-S61 | Sprinter LoadsRite, standard roof, single, street/curbside |
| SPRLR-H61 | Sprinter LoadsRite, high roof, single, street/curbside     |
| SPRLR-62  | Sprinter LoadsRite Add On Kit, street/curbside             |
| SPRLR-S63 | Sprinter LoadsRite, standard roof, double                  |
| SPRLR-H63 | Sprinter LoadsRite, high roof, double                      |



**STOWED POSITION**



**ROTATE HANDLE**



**PRIMARY DROP**



**SECONDARY DROP**

**INTERIOR LADDER RACK**

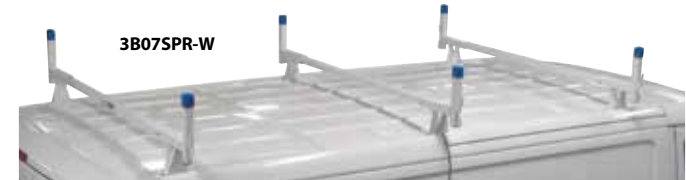
**Out of the Way, Never Out of Reach**

- The Interior Ladder Rack does not take up, limit, or reduce vertical standing room in your van and it allows quick and easy access to your ladder from outside of your vehicle.
- Eliminate the outside wear and tear on your ladder; protect your ladder from the elements, theft, and road grime.
- Customers will appreciate your use of clean, well taken care of equipment rather than bringing the outside mess into their home.
- Perfect for carrying 4ft and 6ft step ladders. Works best in medium and high roof vans and features plastic coated clamps to protect the ladder rungs during transit.



**SPRINTER VP RACK & 3 BAR RACK**

- **Versatile** – Designed to carry multiple types of cargo on the roof.
- **Load assist** – Angled rear bar assists in loading and unloading of cargo. VP Rack Only.
- **Carrying capacity** – Perimeter rails maximize roof space cargo storage. VP Rack Only.
- **Durable** – Powder coated steel available in black or white.



| Catalog #  | Description   |
|------------|---|
| VP107SPR-B | Perimeter Rack, 07-On Sprinter, standard & high roof, black |
| VP107SPR-W | Perimeter Rack, 07-On Sprinter, standard & high roof, white |
| VPE07SPR-B | Perimeter Rack Extension, black (170" Sprinter Only)        |
| VPE07SPR-W | Perimeter Rack Extension, white (170" Sprinter Only)        |
| 3B07SPR-B  | 3Bar, 07-On Sprinter, standard & high roof, black           |
| 3B07SPR-W  | 3Bar, 07-On Sprinter, standard & high roof, white           |
| 1B07SPR-B  | 1Bar, 07-On Sprinter, standard & high roof, black           |
| 1B07SPR-W  | 1Bar, 07-On Sprinter, standard & high roof, white           |

**NOTE: To make it possible to fit roof racks, the Sprinter must be equipped with C-Rails (option D13, for cargo vans only.) C-Rails can be retrofitted.**

**GRIP LOCK Ladder Rack**

Single Grip Lock Ladder Rack for Mercedes Metris Vans. Aluminum construction with plastic and plastisol ladder contact surfaces to protect fiberglass ladders. This Rack can carry 28' Extension Ladders : check your local regulations regarding rear overhanging loads.

NOTE : Vehicle Roof Load Rating is 330 Lbs. Max.

| Catalog # | Description                                  |
|-----------|--|
| 2BMM      | 2 bar utility rack                           |
| 61-MM     | Single grip Lock ladder rack                 |
| 63-MM     | Double grip Lock ladder rack                 |
| 1BMMGL    | Center bow add on kit                        |
| 69-TCL14  | Extension kit (28' ladders, requires 1BMMGL) |
| 61TCSSUR  | SS utility add on kit                        |



61-MM Single Grip Lock

**Utility Rack** (not shown)

This lightweight and adjustable Utility Rack for the Metris features an aluminum construction with composite surfaces to prevent damage to ladders or cargo. Can carry up to a 24 ft. long extension ladder or up to 125 pounds. Measures 63"W, 77.5"D, 11"H. No-drill installation.

Order 1BPMCGL Center Bow Add-on Kit for carrying short ladders or cargo.

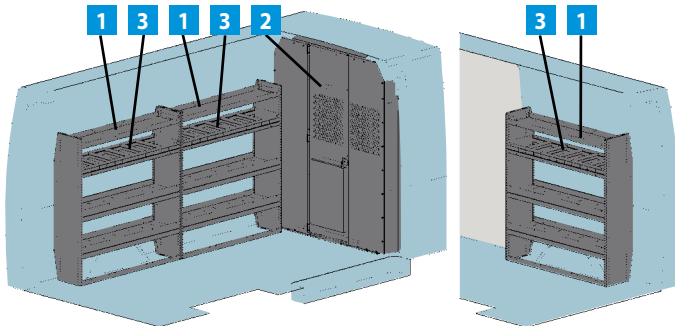
63-MM Double Grip Lock with 1BMMGL Center Bow Add On Kit





### BASEPLUS MAKES IT EASY TO GET TRADE SPECIFIC.

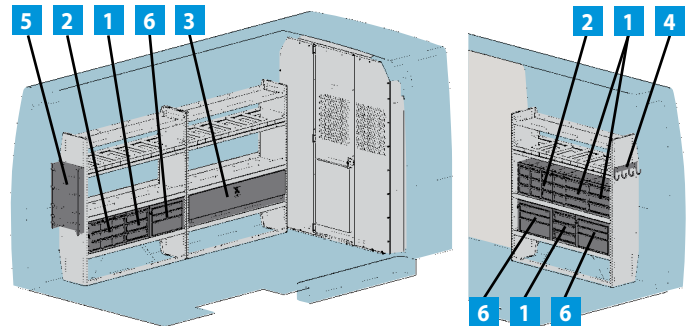
The Base Commercial Package gets you started with the basics including ample shelving and a partition. Then, upgrade to one of three trade specific packages that add accessories like door kits, hooks, tank racks, reel holders and drawers.



### 144" SPRINTER BASE COMMERCIAL PACKAGE

4009H High Roof Package  
4009S Standard Roof Package

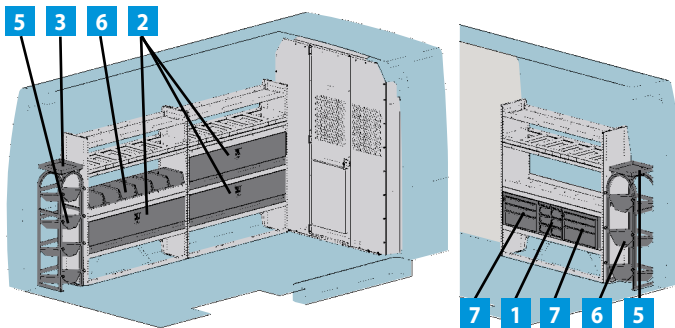
| Item | Model   | Description   | Qty. |
|------|---------|---|------|
| 1    | HD52SPR | Heavy Duty Adjustable Closed Ended Shelving Unit 14x56x52 | 3    |
| 2    | S1M2HC2 | Partition/07/Sprinter                                     | 1    |
| 3    | DV14    | 14" Divider (included with shelf units)                   | 15   |



### 144" SPRINTER BASEPLUS ELECTRICAL PACKAGE

4010H High Roof Package  
4010S Standard Roof Package

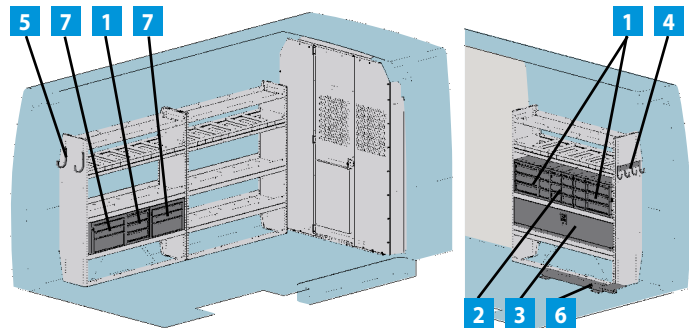
| Item                                 | Model    | Description               | Qty. |
|--------------------------------------|----------|---------------------------|------|
| <b>4009H Commercial Package PLUS</b> |          |                           |      |
| 1                                    | DC12     | Drawer Component 12" Wide | 4    |
| 2                                    | DC6      | Drawer Component 6" Wide  | 7    |
| 3                                    | DK552SPR | Door Kit/Back Panel/52"   | 1    |
| 4                                    | TA1      | Four Hook Bar             | 1    |
| 5                                    | WRH5     | Wire Reel Holder 6" 5-Bar | 1    |
| 6                                    | 919      | 3-Drawer Combo            | 3    |



### 144" SPRINTER BASEPLUS HVAC PACKAGE

4011H High Roof Package  
4011S Standard Roof Package

| Item                                 | Model     | Description                  | Qty. |
|--------------------------------------|-----------|------------------------------|------|
| <b>4009H Commercial Package PLUS</b> |           |                              |      |
| 1                                    | DC6       | Drawer Component 6" Wide     | 2    |
| 2                                    | DK552SPR  | Door Kit/Back Panel/52"      | 3    |
| 3                                    | WTRTRAY   | Shelf Assembly/Top/Tank Rack | 2    |
| 4                                    | WTR350    | Welded Tank Rack, 3-50       | 1    |
| 5                                    | WTR430    | Welded Tank Rack, 4-30       | 1    |
| 6                                    | 28 LINBIN | Blue/10x8x7                  | 6    |
| 7                                    | 919       | 3-Drawer Combo               | 2    |



### 144" SPRINTER BASEPLUS PLUMBING PACKAGE

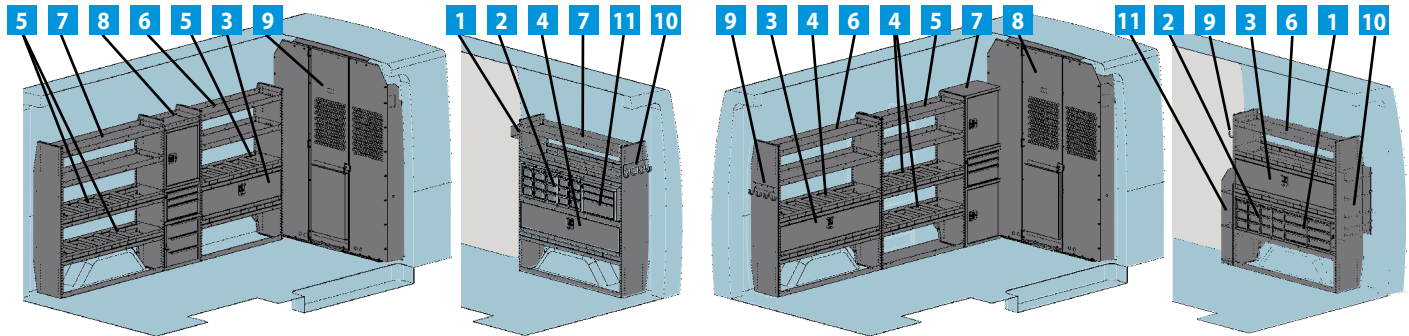
4012H High Roof Package  
4012S Standard Roof Package

| Item                                 | Model    | Description               | Qty. |
|--------------------------------------|----------|---------------------------|------|
| <b>4009H Commercial Package PLUS</b> |          |                           |      |
| 1                                    | DC12     | Drawer Component 12" Wide | 3    |
| 2                                    | DC6      | Drawer Component 6" Wide  | 4    |
| 3                                    | DK552SPR | Door Kit/Back Panel/52"   | 1    |
| 4                                    | TA1      | Four Hook Bar             | 1    |
| 5                                    | UH50     | Utility Hook/5"           | 2    |
| 6                                    | VMA36    | Vise Mount Assy.          | 1    |
| 7                                    | 919      | 3-Drawer Combo            | 2    |

Note: Illustrations and descriptions are for 2007 and newer Sprinter vehicles. Call Adrian Steel for package information for 2006 and older Sprinter vehicles.

## DON'T LET ALL THAT SPACE INSIDE YOUR SPRINTER CARGO VAN INTIMIDATE YOU. ORGANIZE IT WITH ADRIAN STEEL!

If you just don't know where to start, turn to Adrian for ideas on how to best maximize that precious space inside your Sprinter Van. Trade packages are designed for several different vocations with trade specific equipment like tank racks and small parts storage. If you don't see exactly what you are looking for, that's ok! Trade packages are thought starters, designed to give you ideas to run with as you combine the Adrian shelving, cabinets, drawers and modules to fit your specific needs.



### 144" SPRINTER GENERAL SERVICE PACKAGE

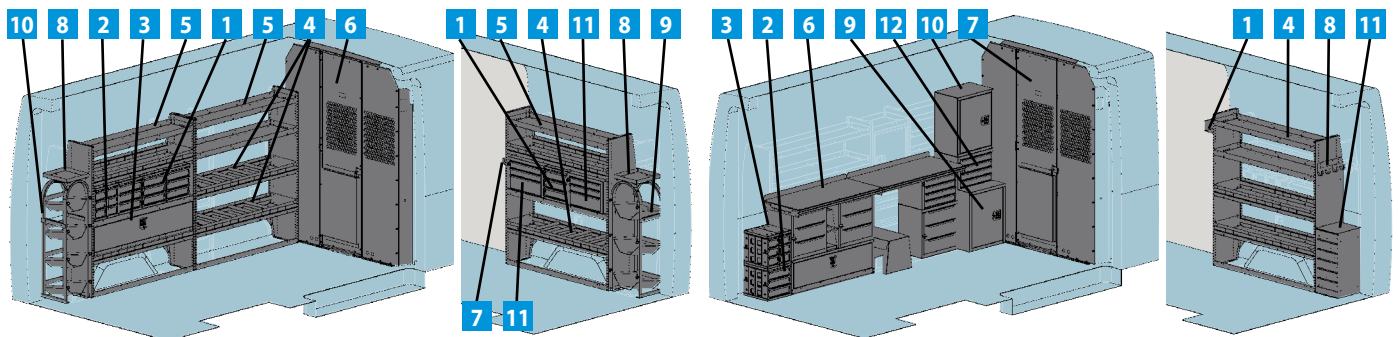
4013H High Roof Package  
4013S Standard Roof Package

| Item | Model    | Description                            | Qty. |
|------|----------|--|------|
| 1    | ACT3     | Aerosol Can Tray 3-Hole                | 1    |
| 2    | DC6      | Drawer Component 6" Wide               | 5    |
| 3    | DK542    | Door Kit/Back Panel/42"                | 1    |
| 4    | DK552    | Door Kit/Back Panel/52"                | 1    |
| 5    | DV14     | Divider/4x14                           | 12   |
| 6    | HD-42SWP | HD Adj. Closed Ended Shelving 14x56x42 | 1    |
| 7    | HD-52SWP | HD Adj. Closed Ended Shelving 14x56x52 | 2    |
| 8    | MD603    | Drawer/Cabinet/Module 12x54x18         | 1    |
| 9    | S1M2HC2  | Partition/07/Sprinter                  | 1    |
| 10   | TA1      | Four Hook Bar                          | 1    |
| 11   | 919      | 3-Drawer Combo                         | 1    |

### 144" SPRINTER ELECTRICAL PACKAGE

4014H High Roof Package  
4014S Standard Roof Package

| Item | Model    | Description                            | Qty. |
|------|----------|--|------|
| 1    | DC12     | Drawer Component 12" Wide              | 2    |
| 2    | DC6      | Drawer Component 6" Wide               | 4    |
| 3    | DK552    | Door Kit/Back Panel/52"                | 2    |
| 4    | DV14     | Divider/4x14                           | 12   |
| 5    | HD-42SWP | HD Adj. Closed Ended Shelving 14x56x42 | 1    |
| 6    | HD-52SWP | HD Adj. Closed Ended Shelving 14x56x52 | 2    |
| 7    | MD601    | Drawer/Cabinet/Module 12x56x18         | 1    |
| 8    | S1M2HC2  | Partition/07/Sprinter                  | 1    |
| 9    | TA1      | Four Hook Bar                          | 2    |
| 10   | WRH5     | Wire Reel Holder 5-Bar                 | 1    |
| 11   | 43       | Three Shelf Catalog File               | 1    |



### 144" SPRINTER HVAC PACKAGE

4015H High Roof Package  
4015S Standard Roof Package

| Item | Model    | Description                            | Qty. |
|------|----------|--|------|
| 1    | DC12     | Drawer Component 12" Wide              | 4    |
| 2    | DC6      | Drawer Component 6" Wide               | 2    |
| 3    | DK552    | Door Kit/Back Panel/52"                | 1    |
| 4    | DV14     | Divider/4x14                           | 12   |
| 5    | HD-52SWP | HD Adj. Closed Ended Shelving 14x56x52 | 3    |
| 6    | S1M2HC2  | Partition/07/Sprinter                  | 1    |
| 7    | TA1      | Four Hook Bar                          | 1    |
| 8    | WTRTRAY  | Shelf Assembly/Top/Tank Rack           | 2    |
| 9    | WTR350   | Welded Tank Rack/3-50                  | 1    |
| 10   | WTR430   | Welded Tank Rack/4-30                  | 1    |
| 11   | 919      | 3-Drawer Combo                         | 2    |

### 144" SPRINTER LOCKSMITH PACKAGE

4016H High Roof Package  
4016S Standard Roof Package

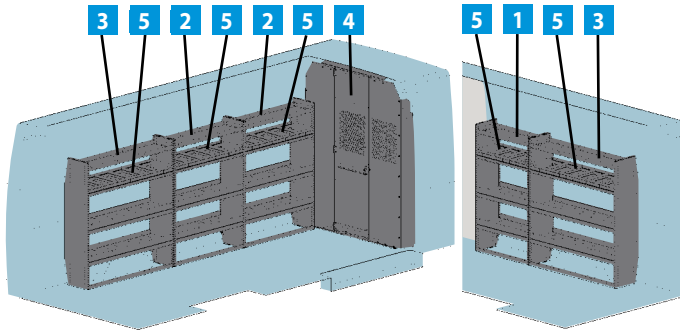
| Item | Model    | Description                            | Qty. |
|------|----------|--|------|
| 1    | ACT3     | Aerosol Can Tray 3-Hole                | 1    |
| 2    | DC12     | Drawer Component 12" Wide              | 1    |
| 3    | DC6      | Drawer Component 6" Wide               | 2    |
| 4    | HD-52SWP | HD Adj. Closed Ended Shelving 14x56x52 | 1    |
| 5    | KMB36    | Key Machine Base 36" (not shown)       | 1    |
| 6    | MD610    | Workbench Module 18x32x84              | 1    |
| 7    | S1M2HC2  | Partition/07/Sprinter                  | 1    |
| 8    | TA1      | Four Hook Bar                          | 1    |
| 9    | 1        | Cabinet 18x22x18                       | 1    |
| 10   | 12       | Cabinet 12x22x18                       | 1    |
| 11   | 17A      | Catalog File 6 Shelf                   | 1    |
| 12   | 9        | 4-Drawer Shallow                       | 1    |
| 13   | 12A      | End Panel #12 (not shown)              | 1    |

Note: Illustrations and descriptions are for 2007 and newer Sprinter vehicles. Call Adrian Steel for package information for 2006 and older Sprinter vehicles.



### BASEPLUS MAKES IT EASY TO GET TRADE SPECIFIC.

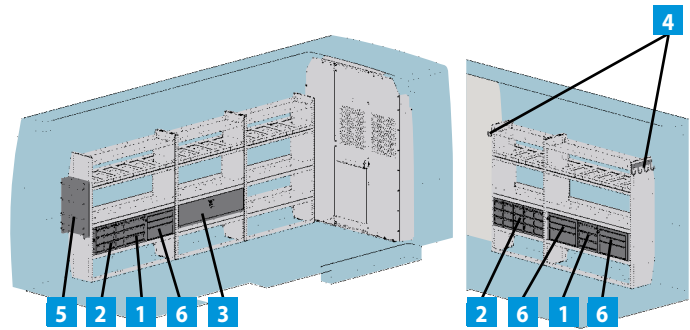
Start with the basics like shelving and a partition. Then add everything you need, where you need it. The Base Commercial Package gets you started with ample shelving and a partition, then upgrade to one of three trade specific packages that add accessories like door kits, hooks, tank racks, reel holders and drawers.



### 170" SPRINTER BASE COMMERCIAL PACKAGE

4005H High Roof Package

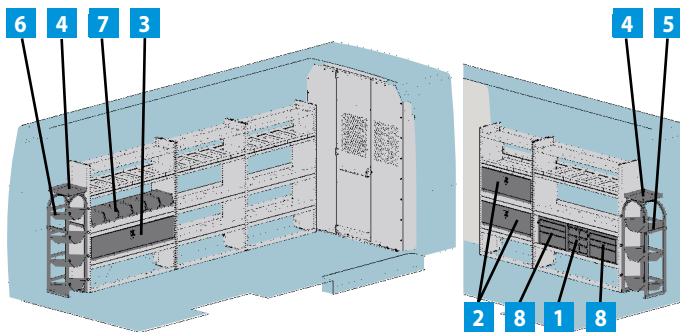
| Item | Model   | Description   | Qty. |
|------|---------|---|------|
| 1    | HD32SPR | Heavy Duty Adjustable Closed Ended Shelving Unit 14x56x32 | 1    |
| 2    | HD42SPR | Heavy Duty Adjustable Closed Ended Shelving Unit 14x56x42 | 2    |
| 3    | HD52SPR | Heavy Duty Adjustable Closed Ended Shelving Unit 14x56x52 | 2    |
| 4    | S1M2HC2 | Partition/07/Sprinter                                     | 1    |
| 5    | DV14    | 14" Divider (included with shelf units)                   | 21   |



### 170" SPRINTER BASEPLUS ELECTRICAL PACKAGE

4006H High Roof Package

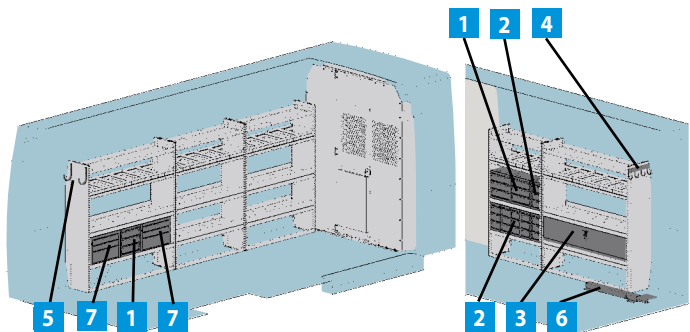
| Item                                 | Model    | Description               | Qty. |
|--------------------------------------|----------|---------------------------|------|
| <b>4005H Commercial Package PLUS</b> |          |                           |      |
| 1                                    | DC12     | Drawer Component 12" Wide | 2    |
| 2                                    | DC6      | Drawer Component 6" Wide  | 8    |
| 3                                    | DK542SPR | Door Kit/Back Panel/42"   | 1    |
| 4                                    | TA1      | Four Hook Bar             | 2    |
| 5                                    | WRH5     | Wire Reel Holder 6" 5-Bar | 1    |
| 6                                    | 919      | 3-Drawer Combo            | 3    |



### 170" SPRINTER BASEPLUS HVAC PACKAGE

4007H High Roof Package

| Item                                 | Model     | Description                    | Qty. |
|--------------------------------------|-----------|--------------------------------|------|
| <b>4005H Commercial Package PLUS</b> |           |                                |      |
| 1                                    | DC6       | Drawer Component 6" Wide       | 2    |
| 2                                    | DK532SPR  | Door Kit/Back Panel/32"        | 2    |
| 3                                    | DK552SPR  | Door Kit/Back Panel/52"        | 1    |
| 4                                    | WTRTRAY   | Shelf Assembly, Top, Tank Rack | 2    |
| 5                                    | WTR350    | Welded Tank Rack, 3-50         | 1    |
| 6                                    | WTR430    | Welded Tank Rack, 4-30         | 1    |
| 7                                    | 28 LINBIN | Blue 10x8x7                    | 6    |
| 8                                    | 919       | 3-Drawer Combo                 | 2    |



### 170" SPRINTER BASEPLUS PLUMBING PACKAGE

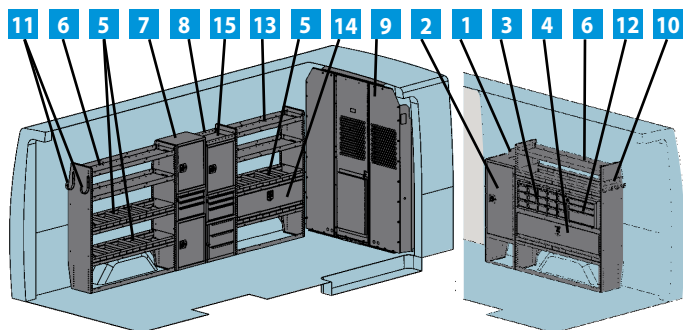
4008H High Roof Package

| Item                                 | Model    | Description               | Qty. |
|--------------------------------------|----------|---------------------------|------|
| <b>4005H Commercial Package PLUS</b> |          |                           |      |
| 1                                    | DC12     | Drawer Component 12" Wide | 3    |
| 2                                    | DC6      | Drawer Component 6" Wide  | 6    |
| 3                                    | DK552SPR | Door Kit/Back Panel/52"   | 1    |
| 4                                    | TA1      | Four Hook Bar             | 1    |
| 5                                    | UH50     | Utility Hook, 5"          | 2    |
| 6                                    | VMA36    | Vise Mount Assembly       | 1    |
| 7                                    | 919      | 3-Drawer Combo            | 2    |

Note: Illustrations and descriptions are for 2007 and newer Sprinter vehicles. Call Adrian Steel for package information for 2006 and older vehicles. 170" interior installed in a Mega High roof Sprinter will require OEM partition.

## DON'T LET ALL THAT SPACE INSIDE YOUR SPRINTER INTIMIDATE YOU. ORGANIZE IT WITH ADRIAN STEEL!

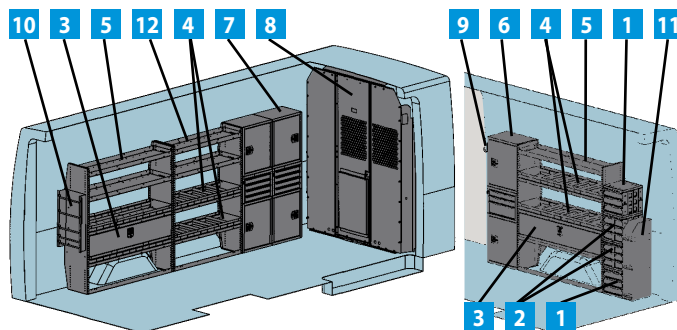
If you just don't know where to start, turn to Adrian for ideas on how to best maximize that precious space inside your Sprinter Van. Trade packages are designed for several different vocations with trade specific equipment like tank racks and small parts storage. If you don't see exactly what you are looking for, that's ok! Trade packages are thought starters, designed to give you ideas to run with as you combine the Adrian shelving, cabinets, drawers and modules to fit your specific needs.



### 170" SPRINTER GENERAL SERVICE PACKAGE

#### 4001H High Roof Package

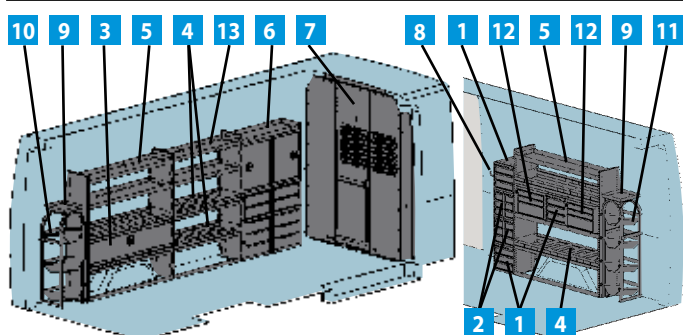
| Item | Model    | Description                            | Qty. |
|------|----------|--|------|
| 1    | ACT3     | Aerosol Can Tray/3-Hole                | 1    |
| 2    | CL1446D  | Cable Locker Mid Door                  | 1    |
| 3    | DC6      | Drawer Component 6" Wide               | 5    |
| 4    | DK552    | Door Kit 52"                           | 1    |
| 5    | DV14     | Divider 4x14                           | 12   |
| 6    | HD-52SWP | HD Adj. Closed Ended Shelving 14x56x52 | 2    |
| 7    | MD601    | Drawer/Cabinet Module 12x56x18         | 1    |
| 8    | MD603    | Drawer/Cabinet Module 12x54x18         | 1    |
| 9    | STM2HC2  | Partition/07/Sprinter                  | 1    |
| 10   | TA1      | Four Hook Bar                          | 1    |
| 11   | UH50     | 5" Hook Bar                            | 2    |
| 12   | 919      | 3-Drawer Combo                         | 1    |
| 13   | HD-42SWP | HD Adj. Closed Ended Shelving 14x56x42 | 1    |
| 14   | DK542    | Door Kit 42"                           | 1    |
| 15   | 4B       | Parts Tray                             | 1    |



### 170" SPRINTER ELECTRICAL SERVICE PACKAGE

#### 4002H High Roof Package

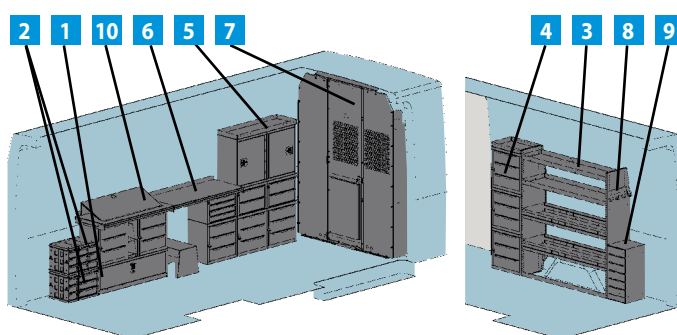
| Item | Model    | Description                            | Qty. |
|------|----------|--|------|
| 1    | DC12     | Drawer Component 12" Wide              | 2    |
| 2    | DC6      | Drawer Component 6" Wide               | 4    |
| 3    | DK552    | Door Kit 52"                           | 2    |
| 4    | DV14     | Divider 4x14                           | 16   |
| 5    | HD-52SWP | HD Adj. Closed Ended Shelving 14x56x52 | 2    |
| 6    | MD601    | Drawer/Cabinet Module 12x56x18         | 1    |
| 7    | MD604    | Drawer/Cabinet Module 12x56x36         | 1    |
| 8    | STM2HC2  | Partition/07/Sprinter                  | 1    |
| 9    | TA1      | Four Hook Bar                          | 1    |
| 10   | WRH5     | Wire Reel Holder 5-Bar                 | 1    |
| 11   | 43       | Catalog File 34"                       | 1    |
| 12   | HD-42SWP | HD Adj. Closed Ended Shelving 14x56x42 | 1    |



### 170" SPRINTER HVAC PACKAGE

#### 4003H High Roof Package

| Item | Model    | Description                            | Qty. |
|------|----------|--|------|
| 1    | DC12     | Drawer Component 12" Wide              | 3    |
| 2    | DC6      | Drawer Component 6" Wide               | 4    |
| 3    | DK552    | Door Kit 52"                           | 1    |
| 4    | DV14     | Divider 4x14                           | 12   |
| 5    | HD-52SWP | HD Adj. Closed Ended Shelving 14x56x52 | 2    |
| 6    | MD605    | Drawer/Cabinet Module 12x54x36         | 1    |
| 7    | STM2HC2  | Partition/07/Sprinter                  | 1    |
| 8    | TA1      | Four Hook Bar                          | 1    |
| 9    | WTRTRAY  | Shelf Assy, Top, Tank Rack             | 2    |
| 10   | WTR350   | Welded Tank Rack, 3-50                 | 1    |
| 11   | WTR430   | Welded Tank Rack, 4-30                 | 1    |
| 12   | 919      | 3-Drawer Combo                         | 2    |
| 13   | HD-42SWP | HD Adj. Closed Ended Shelving 14x56x42 | 1    |

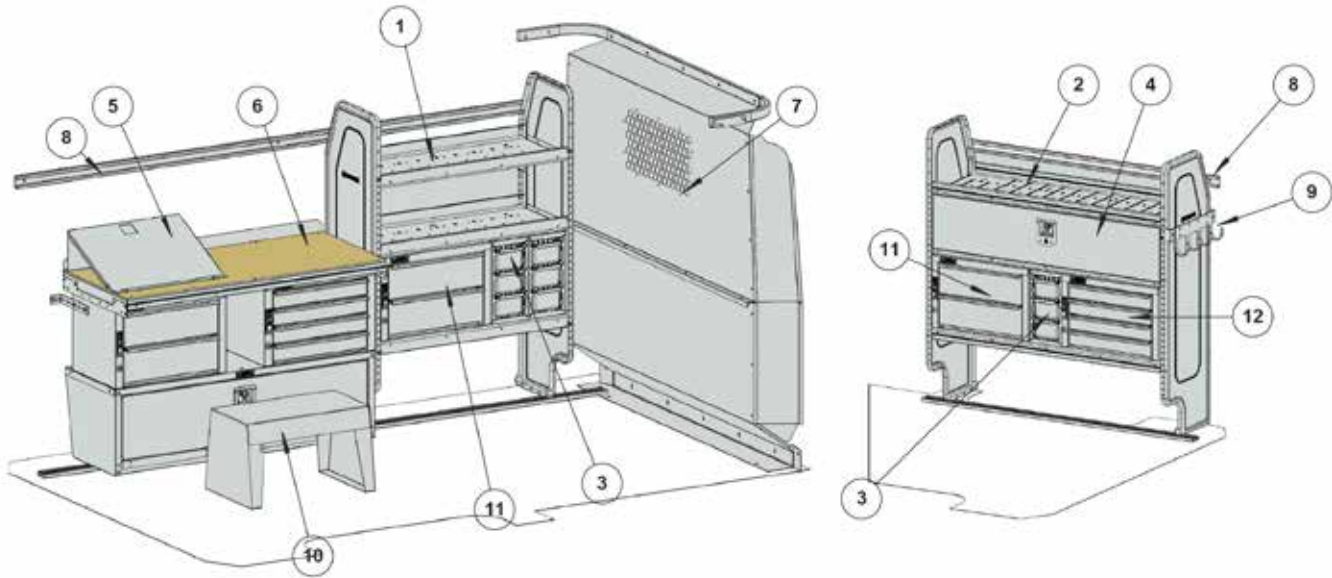


### 170" SPRINTER LOCKSMITH PACKAGE

#### 4004H High Roof Package

| Item | Model    | Description                            | Qty. |
|------|----------|--|------|
| 1    | DC12     | Drawer Component 12" Wide              | 1    |
| 2    | DC6      | Drawer Component 6" Wide               | 4    |
| 3    | HD-52SWP | HD Adj. Closed Ended Shelving 14x56x52 | 1    |
| 4    | MD602    | Drawer/Cabinet Module 12x56x18         | 1    |
| 5    | MD605    | Drawer/Cabinet Module 12x54x36         | 1    |
| 6    | MD610    | Workbench Module 18x32x84              | 1    |
| 7    | STM2HC2  | Partition/07/Sprinter                  | 1    |
| 8    | TA1      | Four Hook Bar                          | 1    |
| 9    | 17A      | Catalog File 6 Shelf                   | 1    |
| 10   | KMB36    | Key Machine Base 36"                   | 1    |

Note: Illustrations and descriptions are for 2007 and newer Sprinter vehicles. Call Adrian Steel for package information for 2006 and older vehicles. 170" interior installed in a Mega High roof Sprinter will require OEM partition.

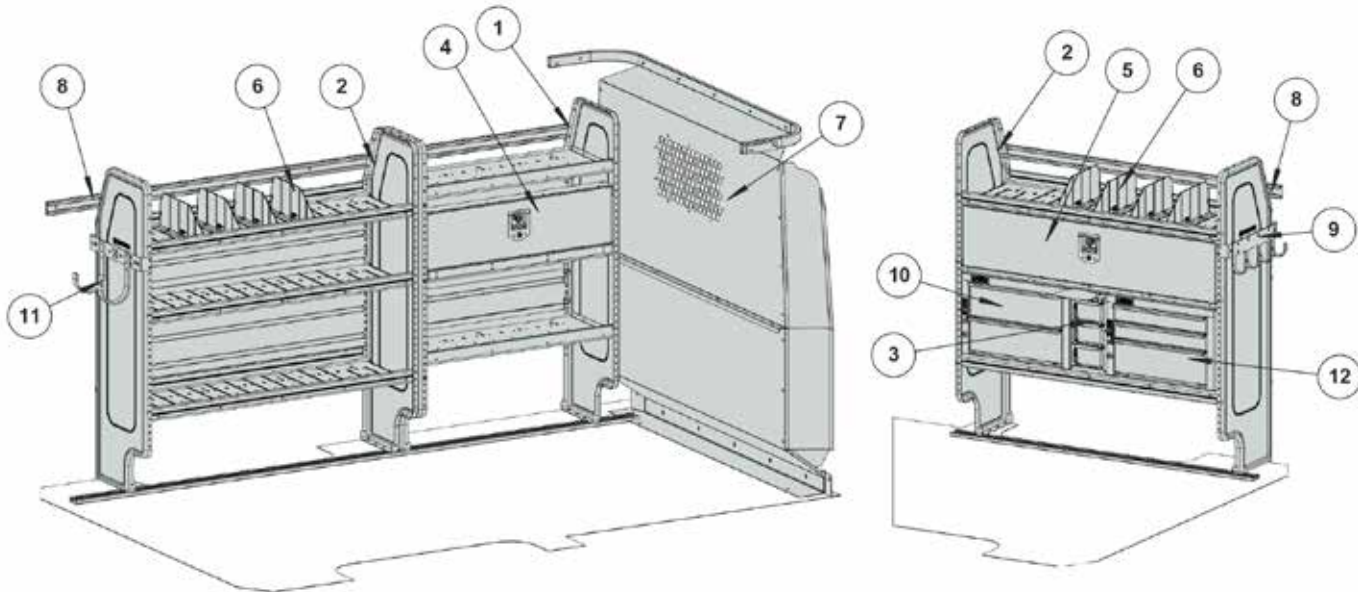


**METRIS LOCKSMITH PACKAGE**

2255MM

| Item                           | Model  | Description              | Qty. |
|--------------------------------|--------|--------------------------|------|
| <b>2255MM Locksmith Uprfit</b> |        |                          |      |
| 1                              | AD32FP | Shelf Assembly           | 1    |
| 2                              | AD44FP | Shelf Module             | 1    |
| 3                              | DC6    | Drawer Component 6" Wide | 3    |
| 4                              | DK4208 | 8" Door Kit              | 1    |
| 5                              | KMB18  | Key Machine Base 18"     | 1    |
| 6                              | MD508  | Workbench Module         | 1    |
| 7                              | P2MMS  | Steel Partition          | 1    |
| 8                              | RKMM   | Rail Kit, Single         | 1    |

| Item | Model  | Description              | Qty. |
|------|--------|--------------------------|------|
| 9    | TA1WAD | Hookbar TA1 W/AD Adapter | 1    |
| 10   | 14     | Step Stool               | 1    |
| 11   | 19     | 2 Drawer Medium          | 2    |
| 12   | 9      | 4 Drawer Shallow         | 1    |



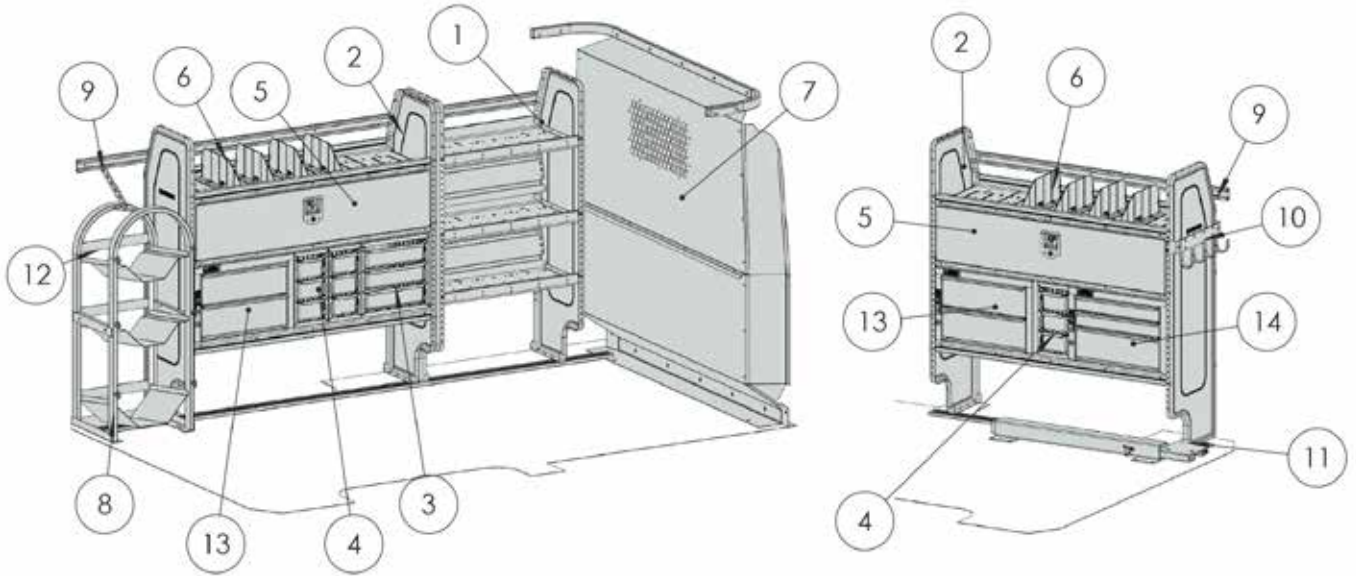
**METRIS GENERAL PACKAGE**

4317MM

| Item                                 | Model  | Description              | Qty. |
|--------------------------------------|--------|--------------------------|------|
| <b>4317MM General Package Uprfit</b> |        |                          |      |
| 1                                    | AD32FP | Shelf Assembly           | 1    |
| 2                                    | AD44FP | Shelf Module             | 2    |
| 3                                    | DC6    | Drawer Component 6" Wide | 1    |
| 4                                    | DK3008 | 8" Door Kit              | 1    |
| 5                                    | DK4208 | 8" Door Kit              | 1    |
| 6                                    | DV14C8 | Divider Kit of 8         | 1    |
| 7                                    | P2MMS  | Steel Partition          | 1    |
| 8                                    | RKMM   | Rail Kit, Single         | 1    |

| Item | Model  | Description              | Qty. |
|------|--------|--------------------------|------|
| 9    | TA1WAD | Hookbar TA1 W/AD Adapter | 1    |
| 10   | 19     | 2 Drawer Medium          | 1    |
| 11   | 47939  | UH50 (2) W/Adapter       | 1    |
| 12   | 919    | 3 Drawer Medium          | 1    |



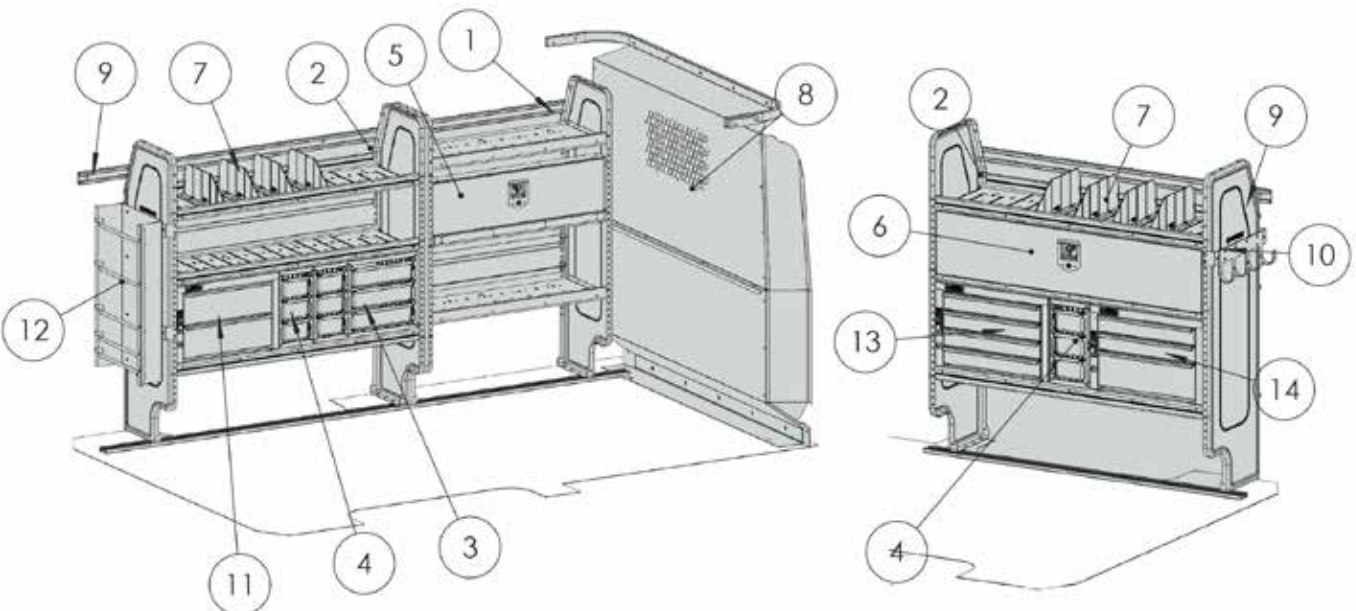


**PLUMBING, HEATING, A/C**

4318MM

| Item                                       | Model  | Description               | Qty. |
|--|--------|---------------------------|------|
| <b>4318MM Plumbing, Heating, A/C Upfit</b> |        |                           |      |
| 1  | AD26TC | 26" AD Shelving Transit   | 1    |
| 2  | AD44FP | Shelf Module              | 2    |
| 3  | DC12   | Drawer Component 12" Wide | 1    |
| 4  | DC6    | Drawer Component 6" Wide  | 3    |
| 5  | DK4208 | 8" Door Kit               | 2    |
| 6  | DV14C8 | Divider Kit of 8          | 1    |
| 7  | P2MMS  | Steel Partition           | 1    |
| 8  | RKAWTR | Adapter, ASM, RLKT, WTR'S | 1    |

| Item | Model     | Description                | Qty. |
|------|-----------|----------------------------|------|
| 9    | RKMM      | Rail Kit, Single           | 1    |
| 10   | TA1WAD    | Hookbar TA1 W/AD Adapter   | 1    |
| 11   | VMA36     | Vise Mount Assembly        | 1    |
| 12   | WTR230150 | Welded Tank Rack 2-30 1-50 | 1    |
| 13   | 19        | 2 Drawer Medium            | 2    |
| 14   | 919       | 3 Drawer Combo             | 1    |



**METRIS ELECTRIC-GAS APPLIANCE REPAIR**

4319MM

| Item                             | Model  | Description               | Qty. |
|----------------------------------|--------|---------------------------|------|
| <b>4319MM Electric-Gas Upfit</b> |        |                           |      |
| 1                                | AD32FP | Shelf Assembly            | 1    |
| 2                                | AD44FP | Shelf Module              | 2    |
| 3                                | DC12   | Drawer Component 12" Wide | 1    |
| 4                                | DC6    | Drawer Component 6" Wide  | 3    |
| 5                                | DK3008 | 8" Door Kit               | 1    |
| 6                                | DK4208 | 8" Door Kit               | 1    |
| 7                                | DV14C8 | Divider Kit of 8          | 1    |
| 8                                | P2MMS  | Steel Partition           | 1    |

| Item | Model  | Description              | Qty. |
|------|--------|--------------------------|------|
| 9    | RKMM   | Rail Kit, Single         | 1    |
| 10   | TA1WAD | Hookbar TA1 W/AD Adapter | 1    |
| 11   | 19     | 2 Drawer Medium          | 1    |
| 12   | 46106  | WRH5 With AD Brackets    | 1    |
| 13   | 9      | 4 Drawer Shallow         | 1    |
| 14   | 919    | 3 Drawer Combo           | 1    |





# ADRIAN STEEL COMPANY



## QUALITY

- Our products are durable and reliable. Warranty claims are less than 1% of sales.
- Our warranty covers our products for three years or 36,000 miles.

## INNOVATIVE PRODUCTS WITH FEATURES THAT MATTER

- Drawers that stay closed while in transit.
- Heavy-duty, adjustable shelving.
- LoadsRite and Grip-Lock ladder racks that load and unload the safe and right way.
- Trade specific accessories including tank racks, cable reel holders and vice mounts.
- Plug and Play accessories.
- Anti-slam drawer latches, and much more!

## COMMITMENT

At Adrian Steel, we are committed to you beyond the upfit!

- A dedicated Customer Care Team at corporate headquarters.
- A network of highly qualified distributors to support you locally.
- Our commitment to provide the best cargo management solutions in North America.

## EXPERIENCE

- **Over One Million vans upfitted**, and counting! It's a fact that an organized vehicle increases work flow efficiencies and reduces inventory damages.
- Recognized as a National Truck Equipment Association MVP.



## SERVICE

- Adrian Steel Products can be purchased throughout North America at authorized Adrian Steel distributors.
- Adrian Steel Customer Service Representatives are available M-F, 8am - 5pm EST at **1-800-677-2726**.
- E-mail us at [info@adriansteel.com](mailto:info@adriansteel.com) with questions, comments and feedback.
- Visit [AdrianSteel.com](http://AdrianSteel.com) for the most up-to-date product information, distributor locator, product catalogs, videos and more.

## PROUDLY DISTRIBUTED BY:



906 James Street  
Adrian, Michigan 49221-3996  
517-265-6194 Fax: 517-265-5834  
Toll Free **800-677-2726**  
[adriansteel.com](http://adriansteel.com) [info@adriansteel.com](mailto:info@adriansteel.com)